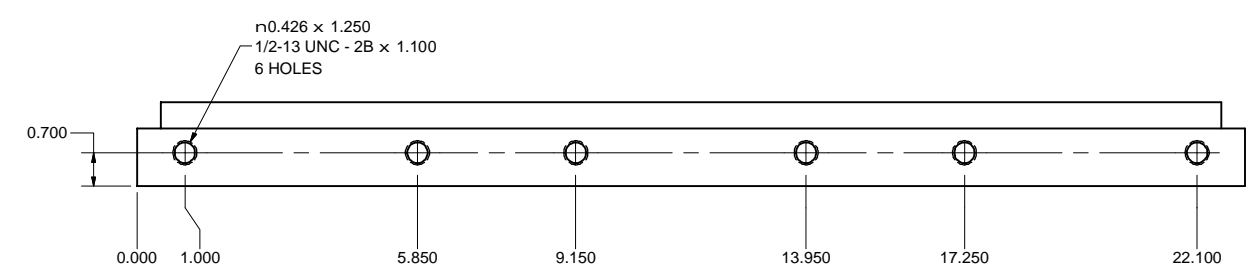
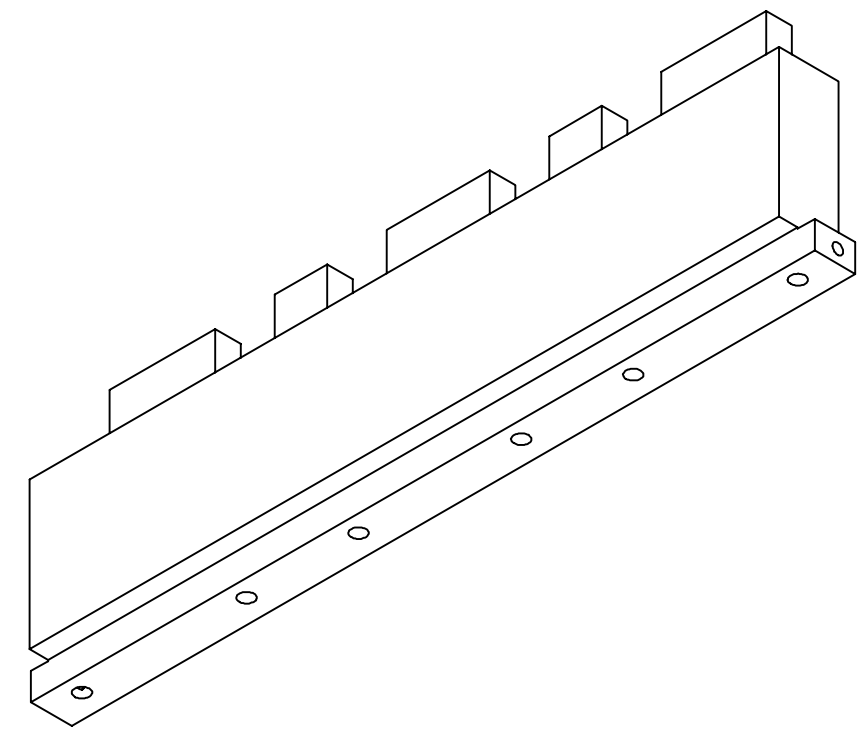
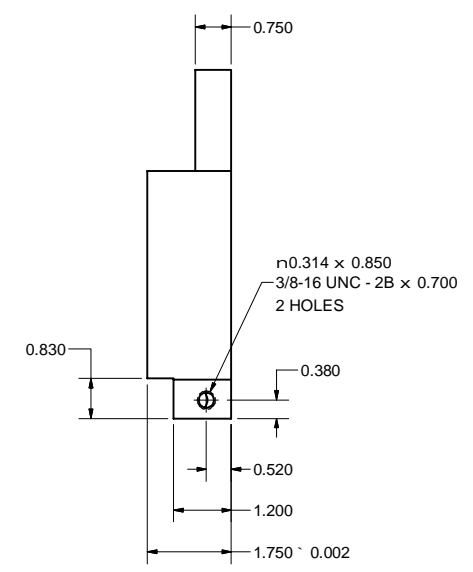
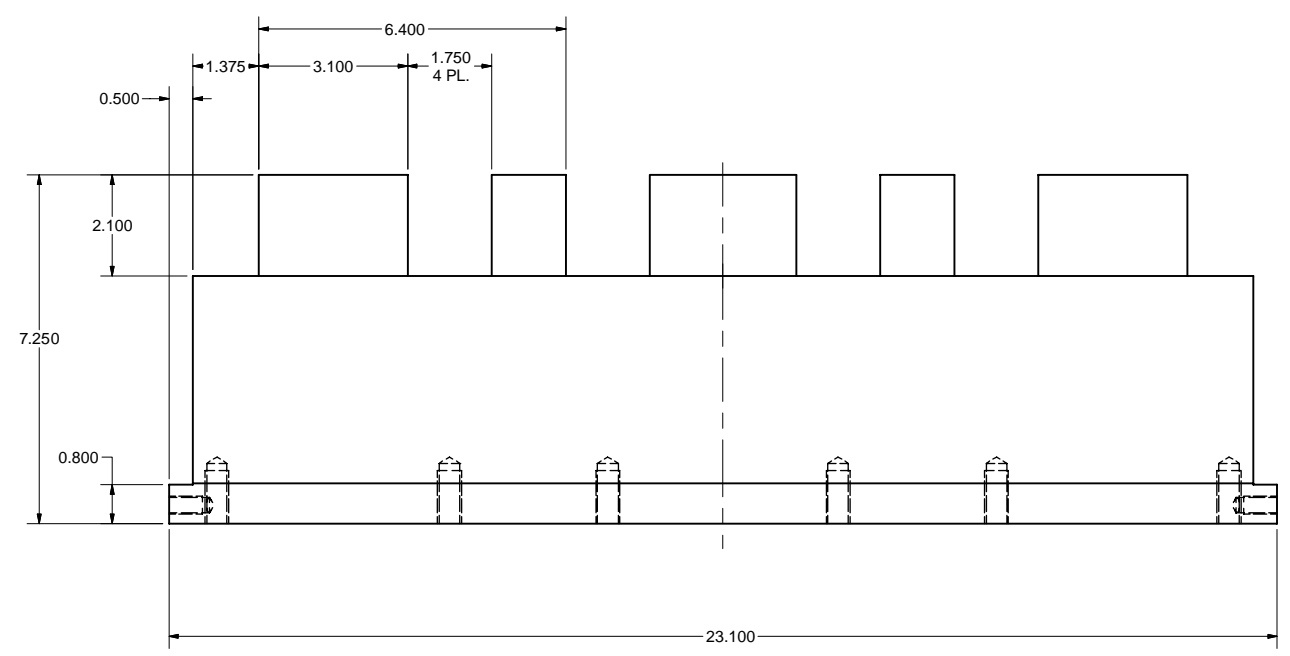


REVISIONS				
SYM.	ZONE	DESCRIPTION	DATE	APP.



MATERIAL:  
1-7/8" H.R. STEEL SHEET

FOR MACHINING LUBRICANT USE ONLY  
ALKALINE DETERGENT LUBRICANT CIMSTAR 40  
OR EQUIVALENT APPROVED BY CORNELL LEPP

TECHNICAL RESOURCE APPROVALS REQUIRED BEFORE FABRICATION			
	OK	DATE	N/A
DRAFTING (O'Connell):			
MACHINE SHOP (Kaminski):			
CHEMISTRY (Conklin):			
ELECTRONICS SHOP (Barley):			
FURNACE BRAZING (Sherwood):			
BEAM WELDING (Sears):			
WELDING OTHER (Gallagher):			
UTILITIES INTEGRATION (Gallagher):			
STOCKROOMS (Lockwood):			

ITEM	DWG. NO.	DESCRIPTION	G1	G2	G3	REMARKS	REV.	
			QUANTITY					
PRINT DISTR.	6041-159-0202	PLOT DATE: 6/30/2004 CAD FILE NAME: 6041-159-0202.idw						
CR-1	6041-159-0202	UNLESS OTHERWISE SPECIFIED: DIMENSIONS ARE IN INCHES: TOLERANCES ON: .00 ± .010 .000 ± .005 FRACTIONS 1/64 ANGLES 0.5° ALL SURFACES ✓				CORNELL UNIVERSITY Floyd R. Newman Laboratory Ithaca, NY 14853		
REV.	6041-159-0202	CHECKED BY: MAP APPROVED BY: MAP	DRAWN BY: V.Medjidzade	DRAWN FOR: M.Palmer	DATE: 6/29/2004	SCALE: (1:2)	D	6041-159-0202 SH. NO. 1 OF 1

PAD-2