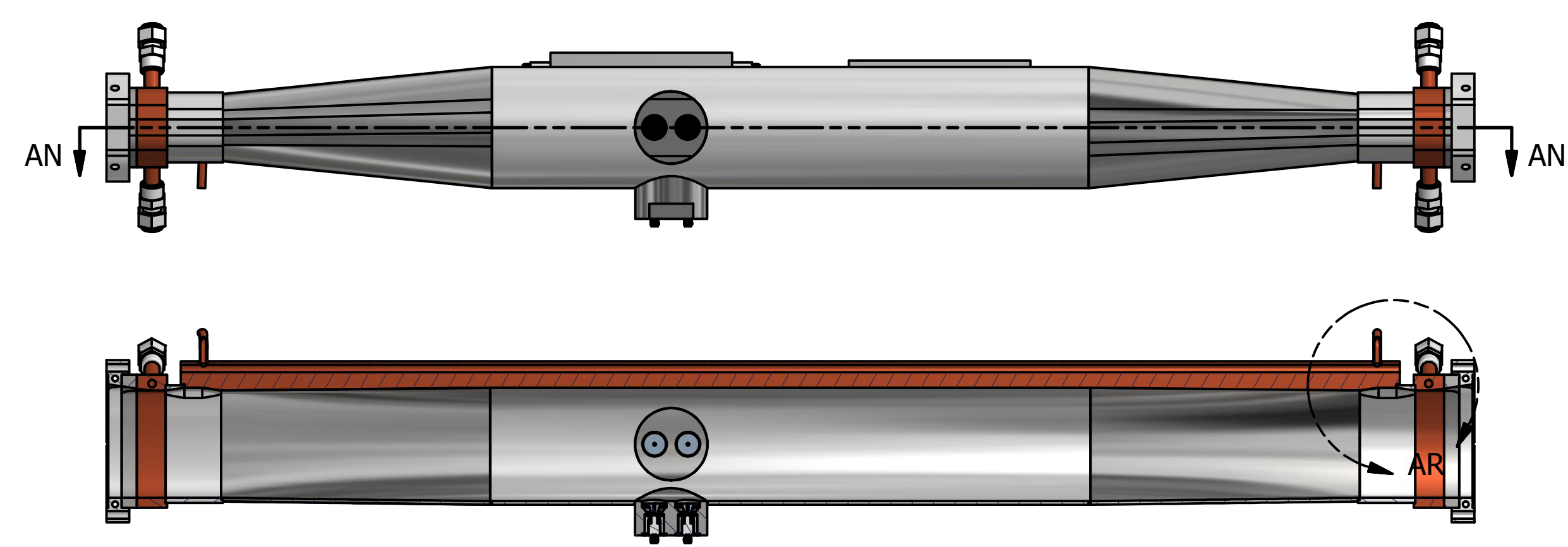
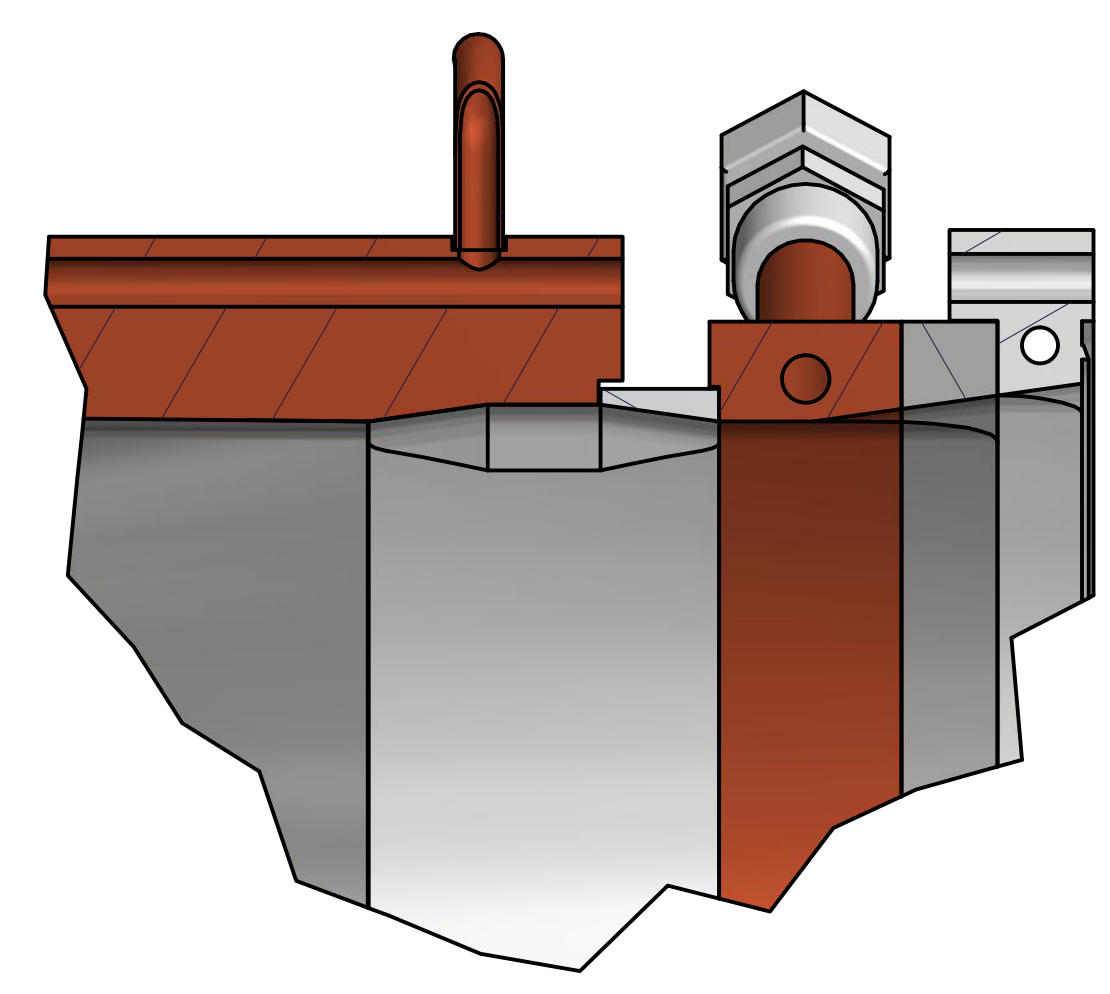


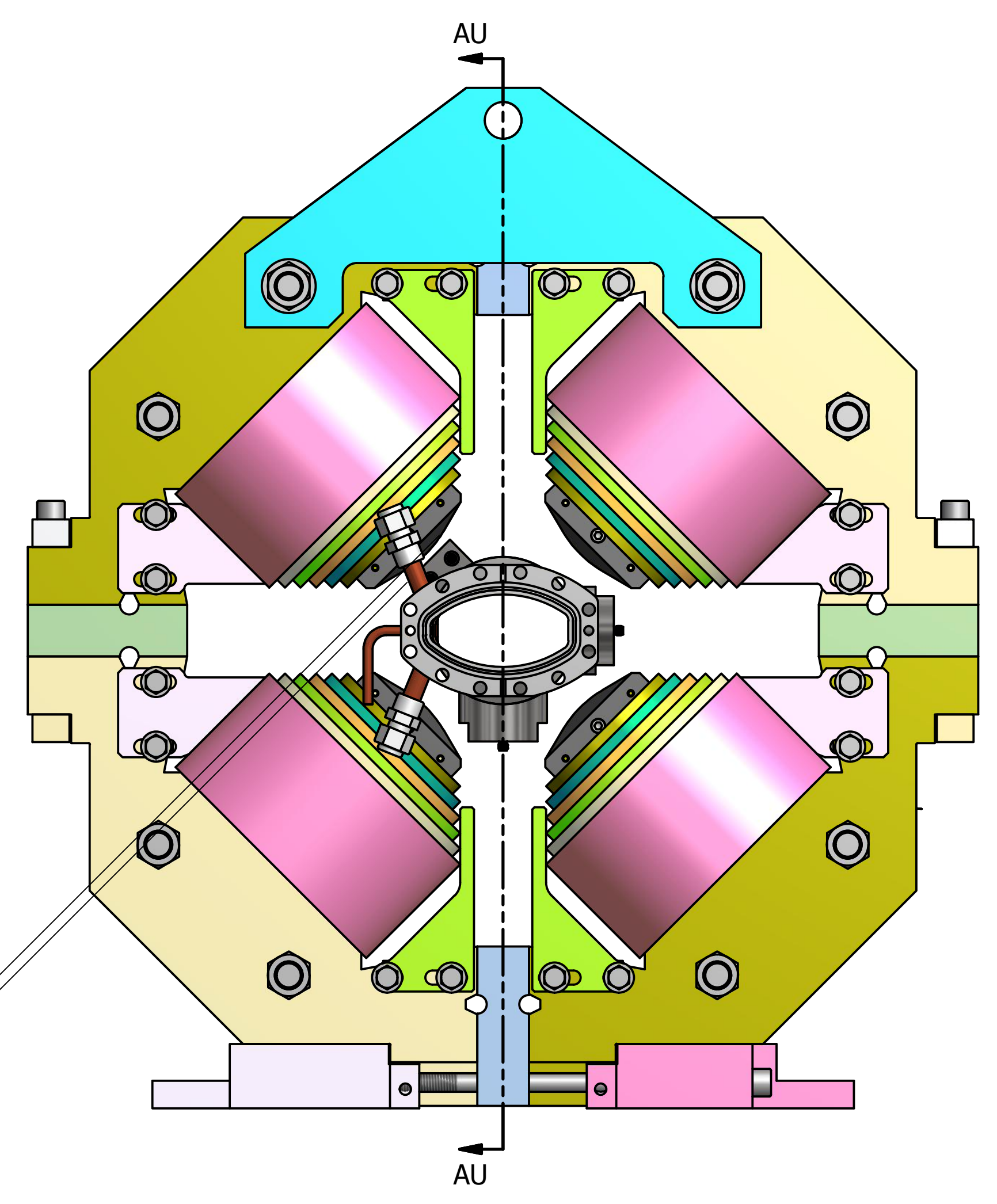
REVISIONS		DATE	APP.
SYM.	ZONE	DESCRIPTION	



SECTION AN-AN
SCALE 1/4

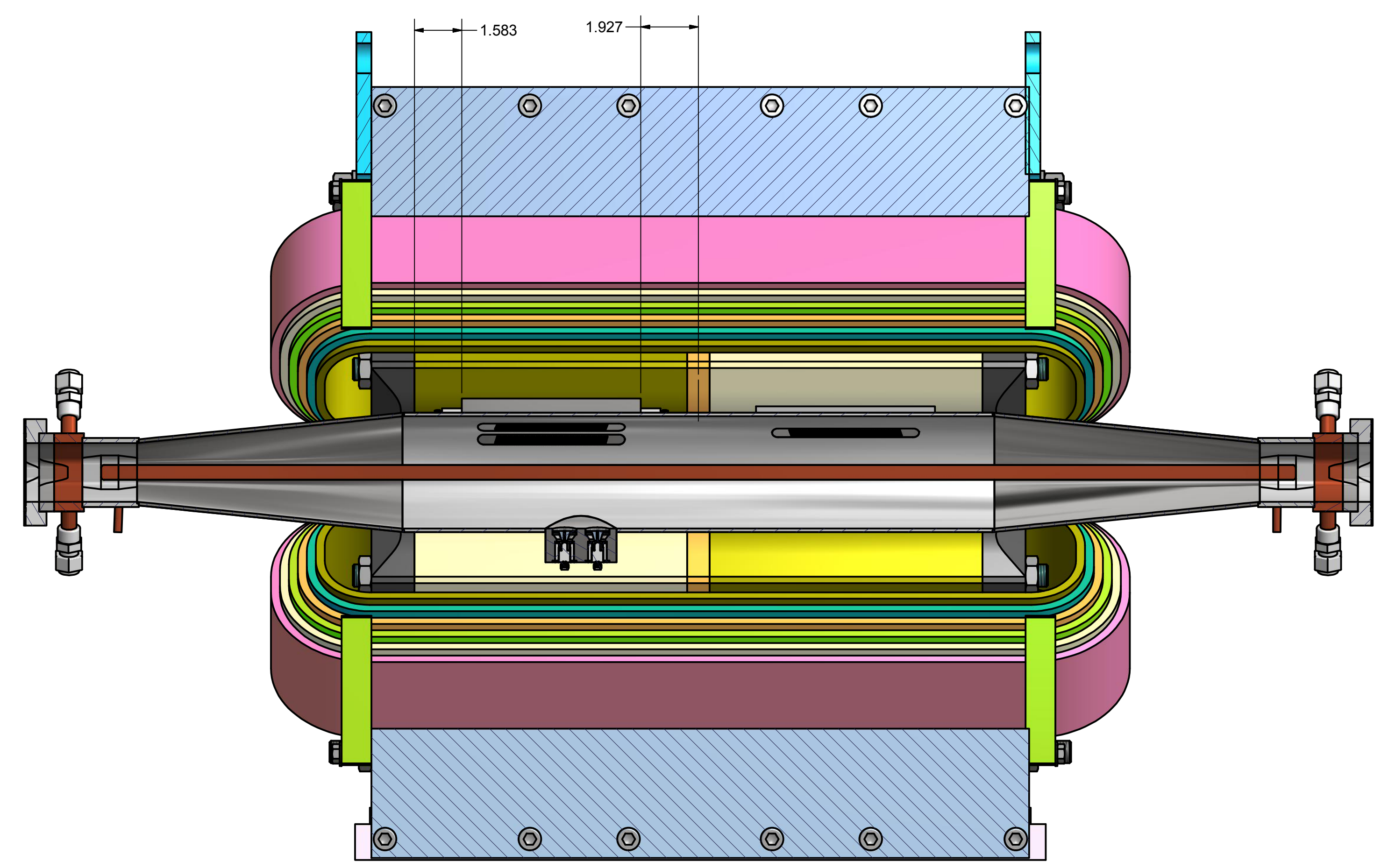


DETAIL AR
SCALE 1

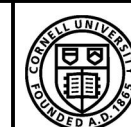


0.287

SECTION AU-AU
SCALE 1/3



SECTION AU-AU
SCALE 1/3

ITEM	DWG. NO.	DESCRIPTION	G1	G2	G3	REMARKS	REV.
			QUANTITY				
PRINT DISTR.	PLOT DATE: CAD FILE NAME: 6085-222.idw						
D 6085-222 SH. NO. 12 OF 12	CR-1	UNLESS OTHERWISE SPECIFIED: DIMENSIONS ARE IN INCHES: TOLERANCES ON: 0 ± .02 .00 ± .010 .000 ± .005 FRACTIONS ± 1/32 ANGLES ± 0.5° ALL SURFACES		 Cornell University Laboratory for Elementary-Particle Physics Floyd R. Newman Laboratory Robert R. Wilson Laboratory Ithaca, NY 14853			
	Additional Assembly Views						
REV.	CHECKED BY:	DRAWN BY	DRAWN FOR	DATE	SCALE	6085-222	REV.
	APPROVED BY:	sb626		1/15/2016	D	SH. NO. 12 OF 12	