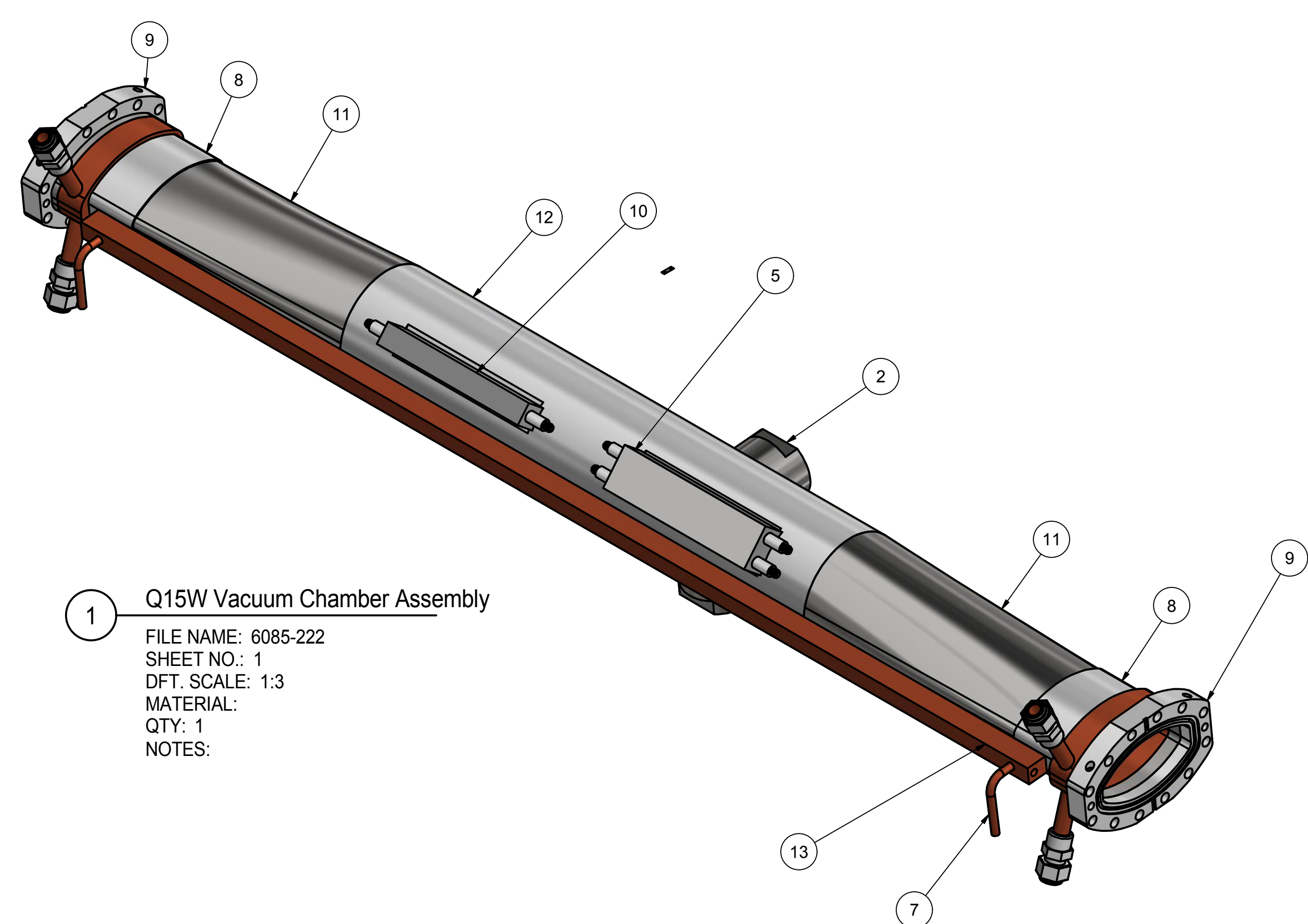
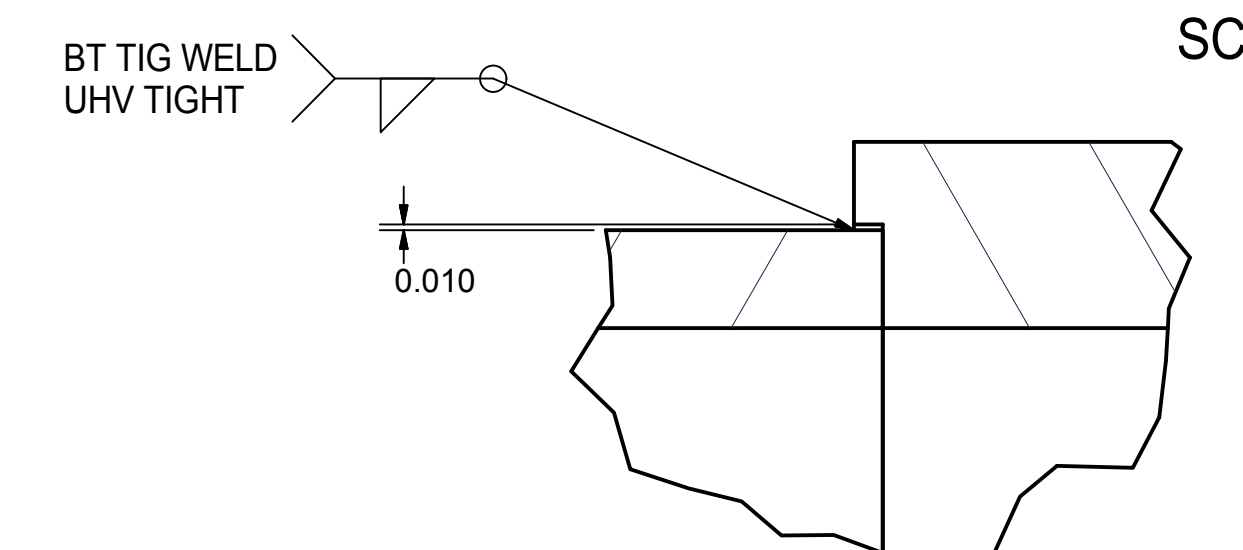
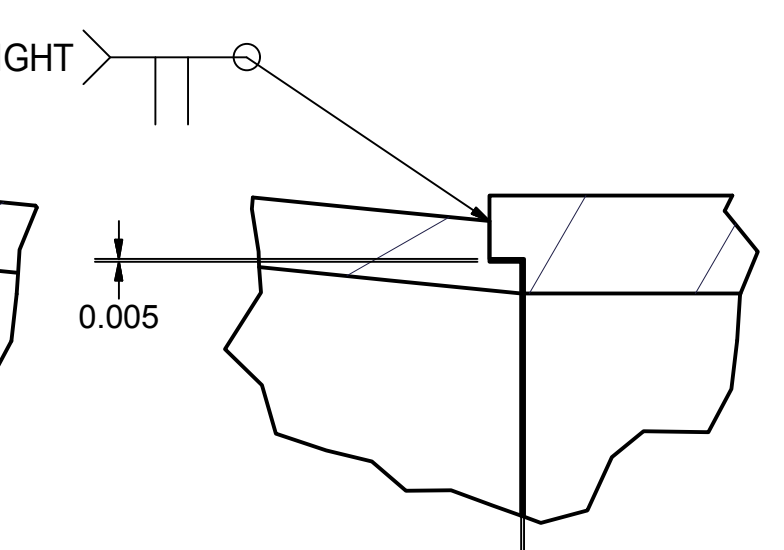
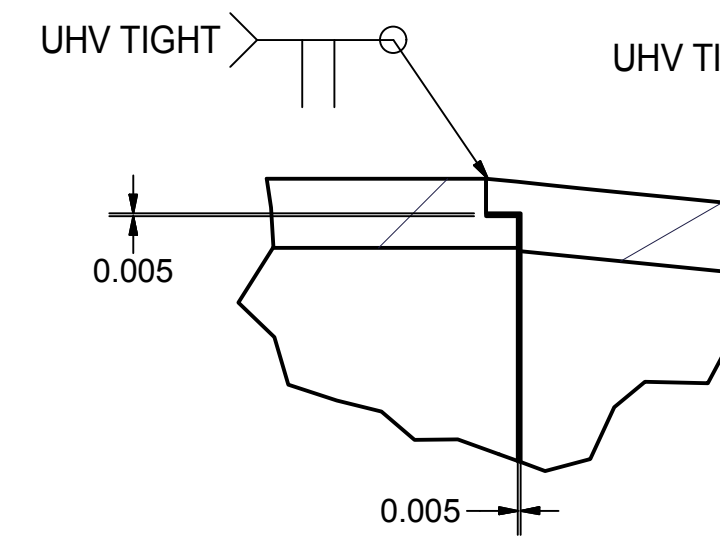
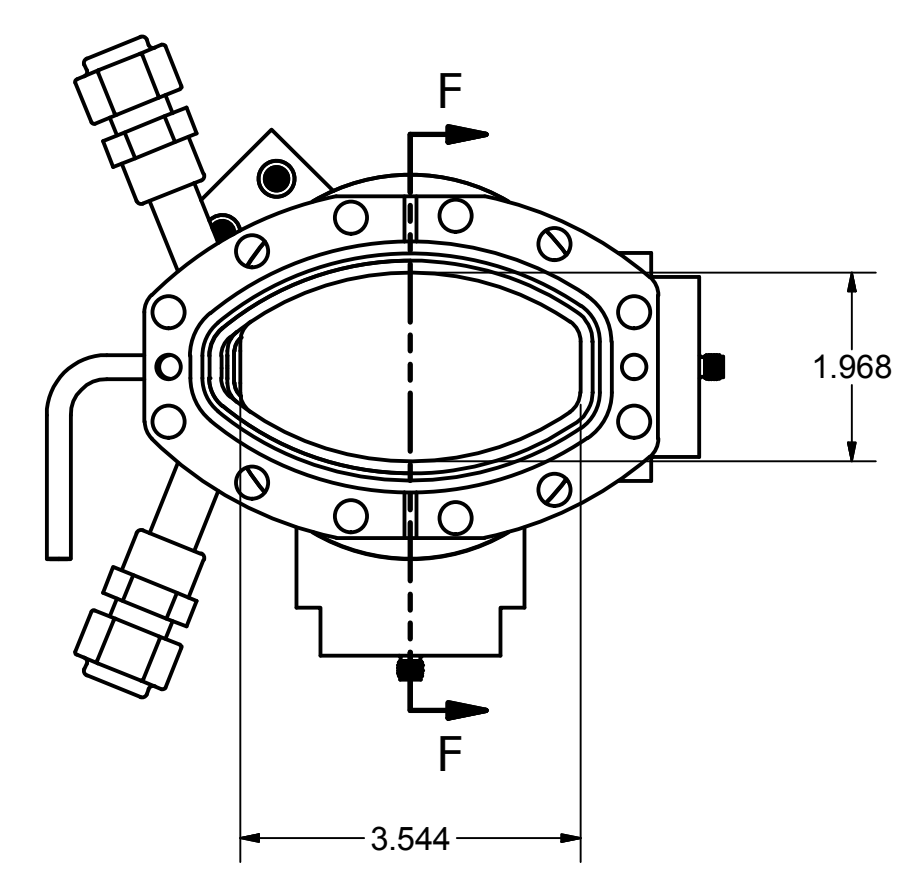
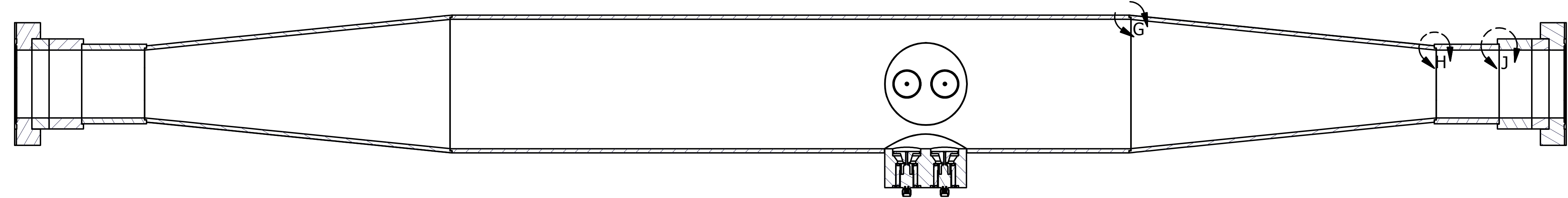
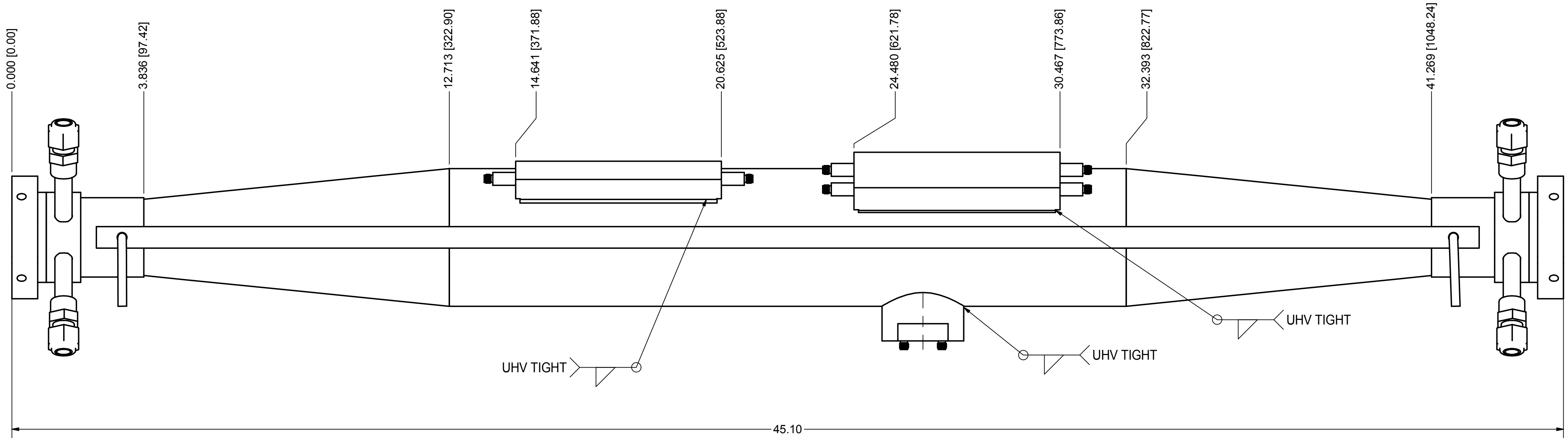


REVISIONS				
SYM.	ZONE	DESCRIPTION	DATE	APP.
A	1	Weight Added	1/18/2016	sb626



1 Q15W Vacuum Chamber Assembly
 FILE NAME: 6085-222
 SHEET NO.: 1
 DFT. SCALE: 1:3
 MATERIAL:
 QTY: 1
 NOTES:

RELEVANT APPROVALS REQUIRED BEFORE FABRICATION.			
	OK	DATE	N/A
VACUUM PROPERTIES:			
SYNCH. RAD. POWER:			
H.O.M. HEATING:			
APERTURE CHECKOUT:			
INSTALLATION PROCEDURE:			

ITEM	DWG. NO.	DESCRIPTION	G1	G2	G3	REMARKS	REV.
14	SHEET 4	Thin Shim					
13	SHEET 9	Cooling Bar	1				
12	SHEET 7	Beam Pipe	1				
11	SHEET 8	Tapered Transition	2				
10	SHEET 2	Collector Assembly	1				
9	SHEET 6	MK 6 SS-CU Flange Assembly	2				
8	SHEET 9	SST-BPM Assembly	2				
7	PURCHASE	Copper Hose	2				
5	SHEET 10	Dual Collector Assembly	1				
4	SHEET 4	Perforated Plate	1				
3	SHEET 4	Angled Perforated Plate	2				
2	SHEET 5	SST-BPM Assembly	2				
1	SHEET 1	Q15W Vacuum Chamber Assembly	1			Weight: 33 lbs	

D	PRINT DISTR.	PLOT DATE:				
		CAD FILE NAME: 6085-222.idw				
6085-222	REV. 1	UNLESS OTHERWISE SPECIFIED:				
		DIMENSIONS ARE IN INCHES:				
		TOLERANCES ON:				
		0 ± .02				
		.00 ± .010				
		.000 ± .005				
		FRACTIONS ± 1/32				
		ANGLES ± 0.5°				
		ALL SURFACES				
		Cornell University	Floyd R. Newman Laboratory			
		Laboratory for Elementary-Particle Physics	Robert R. Wilson Laboratory			
			Ithaca, NY 14853			
Q15W Electron Cloud Detector Chamber						
3	REV. A	CHECKED BY:	DRAWN BY: sb626	DRAWN FOR:	DATE: 1/15/2016	SCALE: D
		APPROVED BY:				6085-222
						SH. NO. 1 OF 12