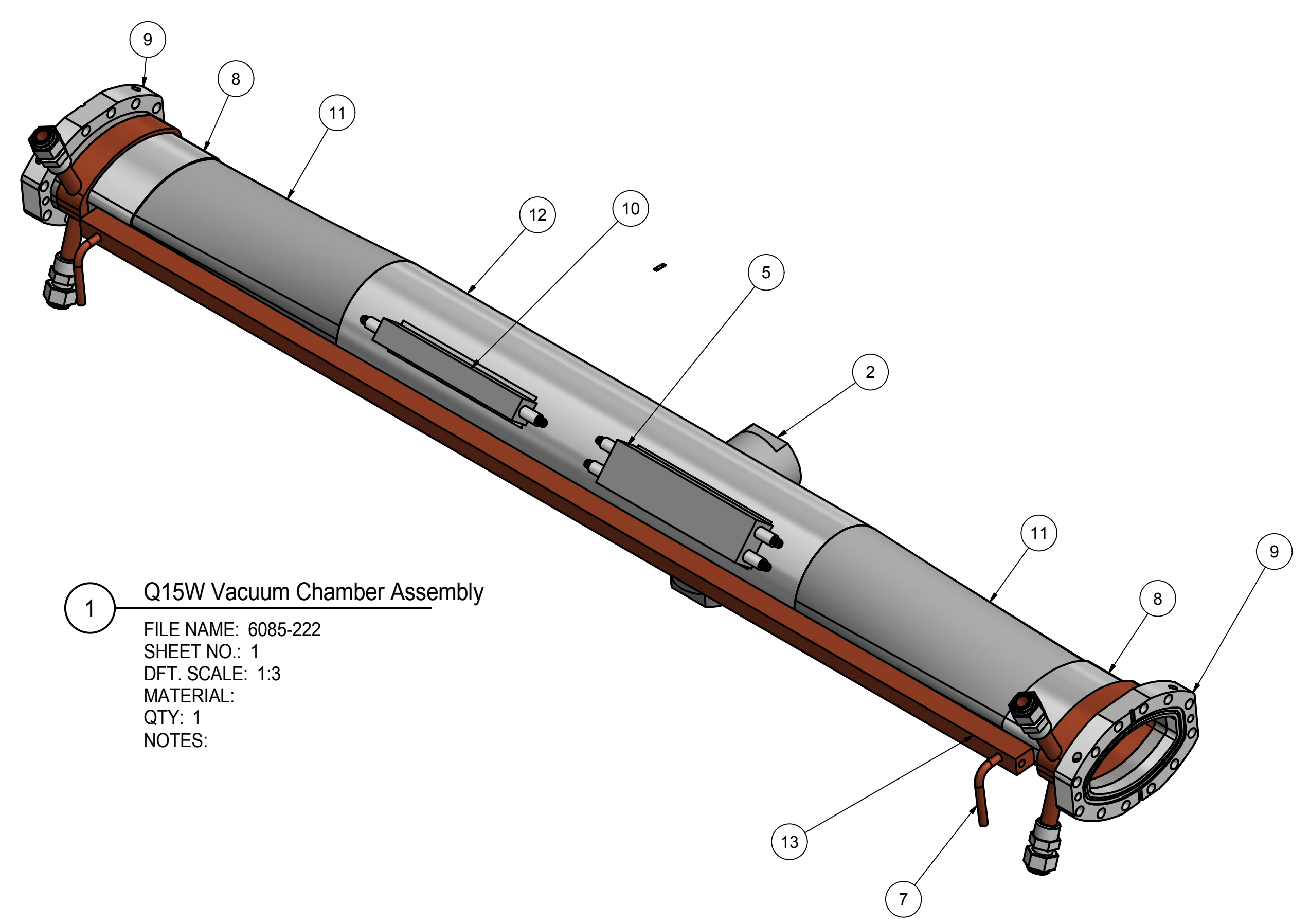
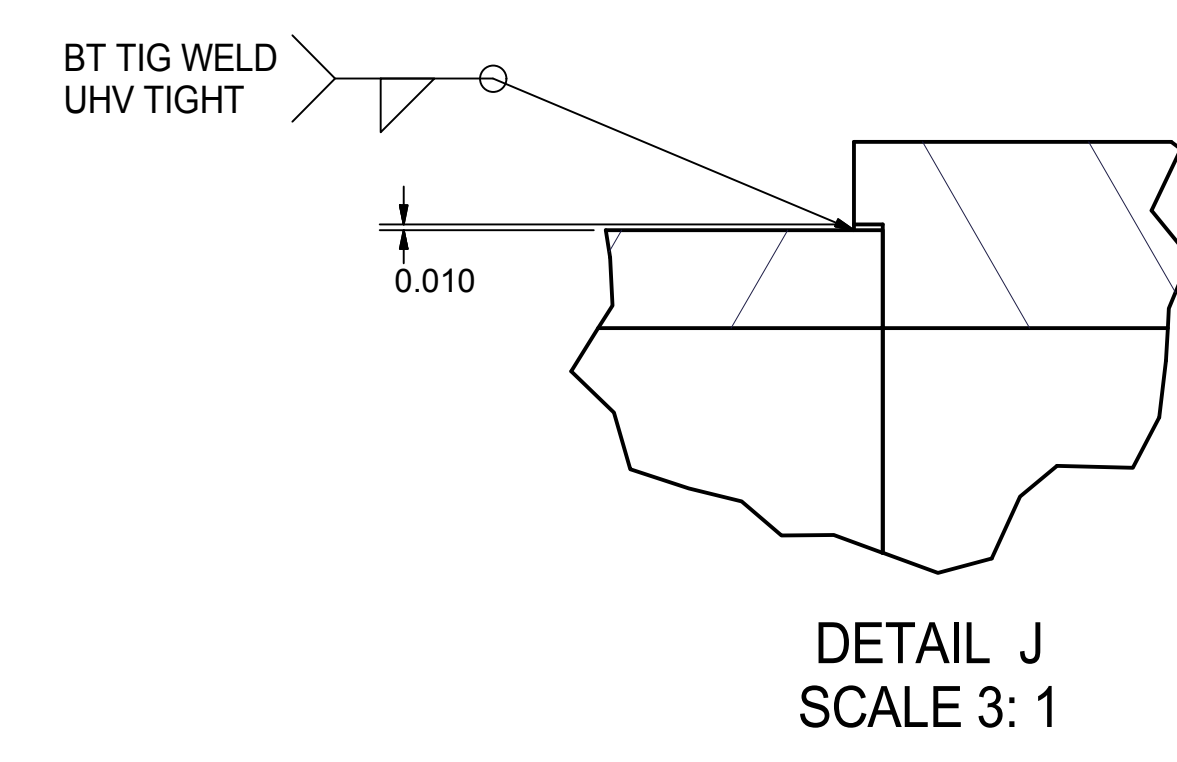
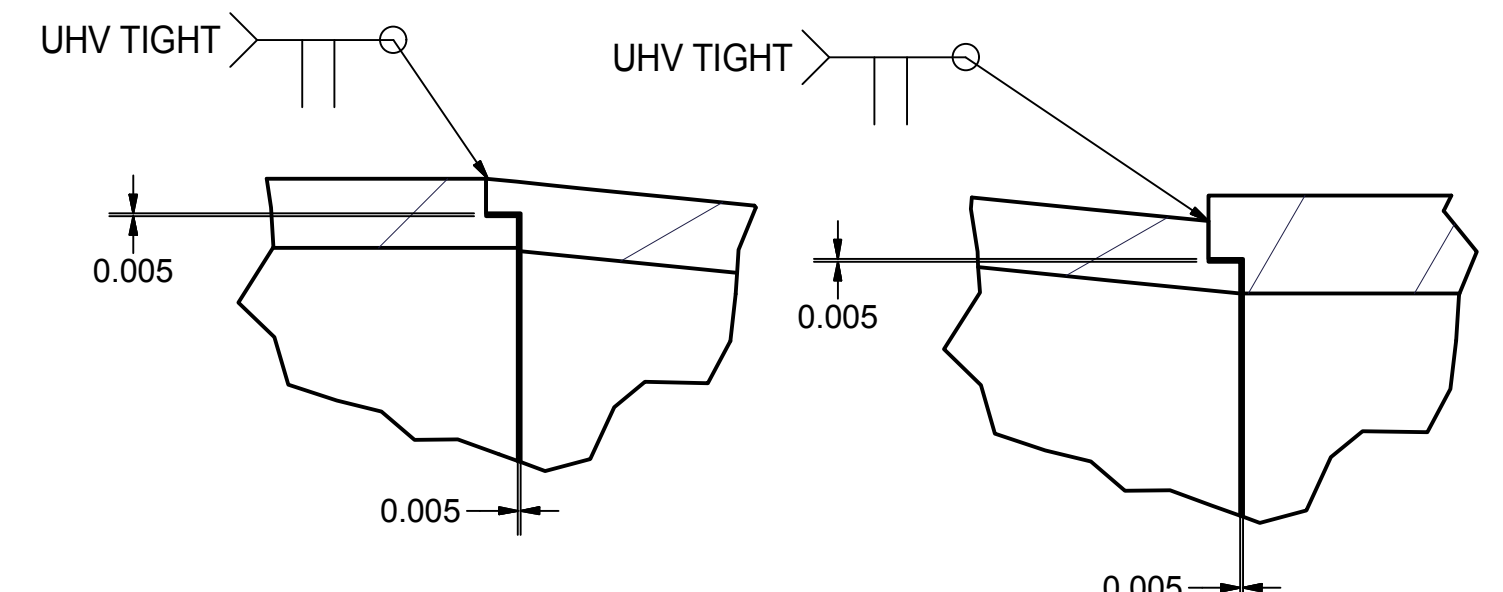
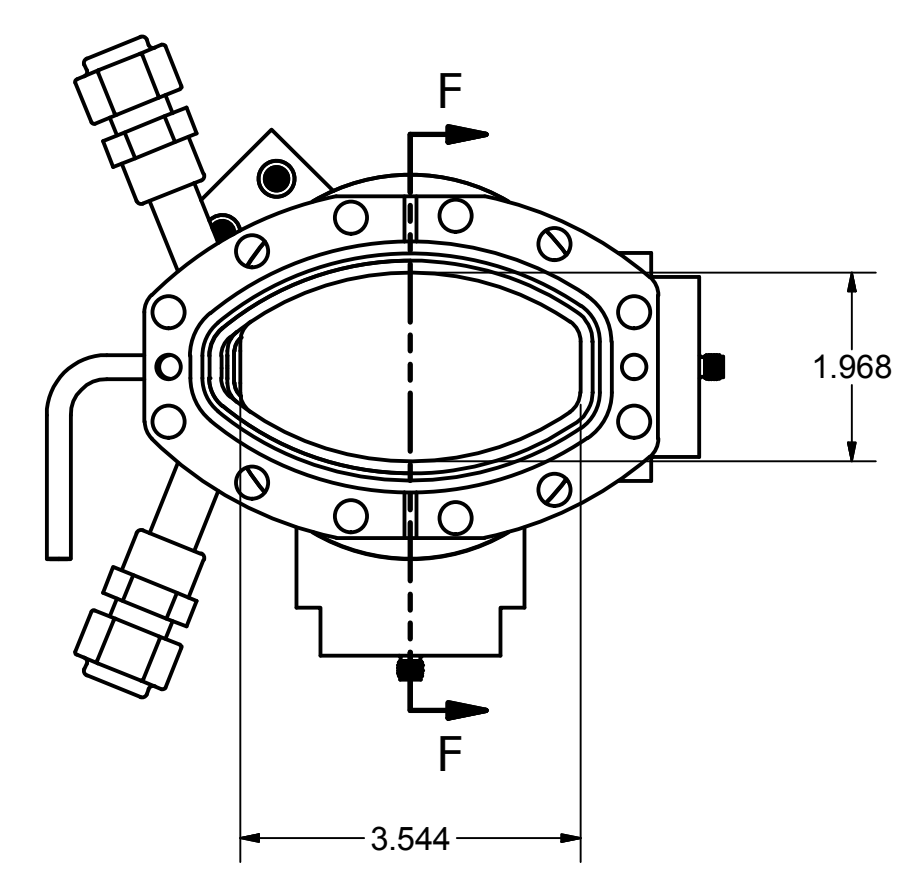
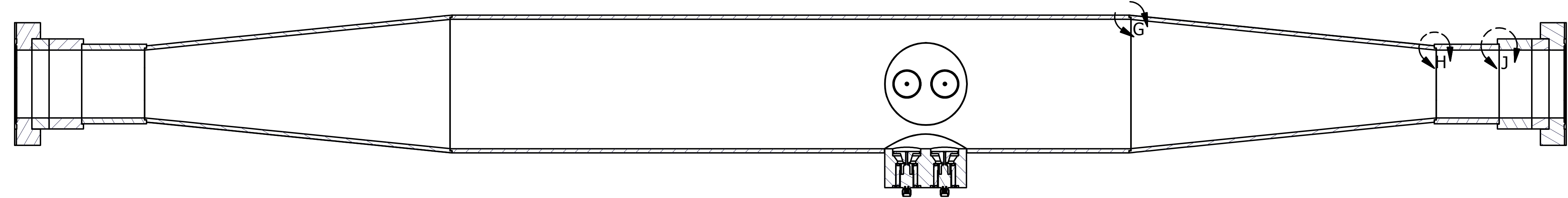
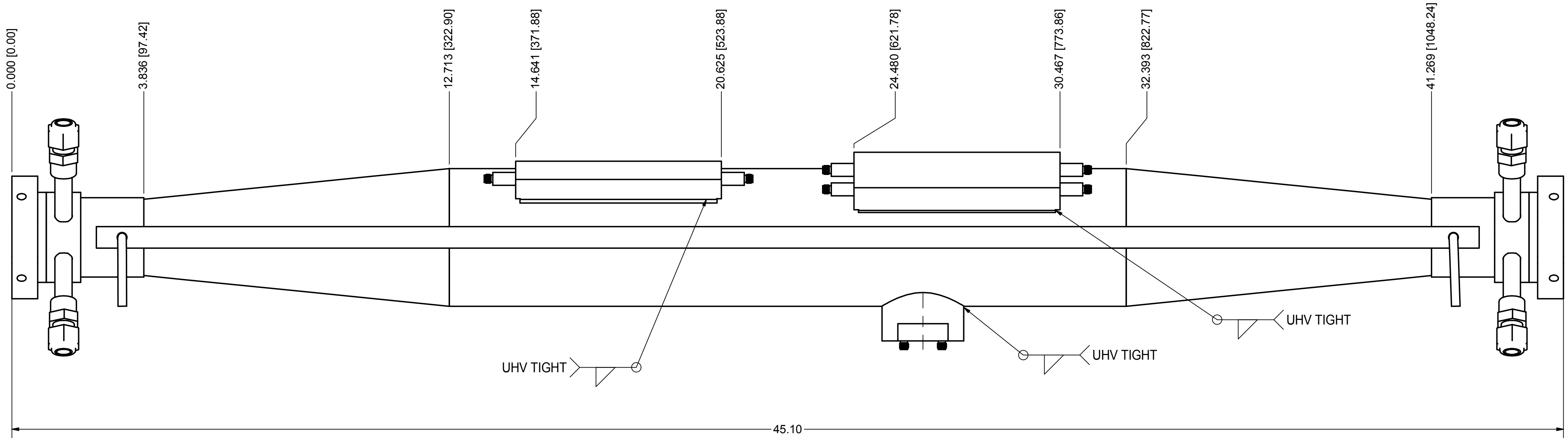


| REVISIONS |      |             |           |
|-----------|------|-------------|-----------|
| SYM.      | ZONE | DESCRIPTION | DATE APP. |
|           |      |             |           |



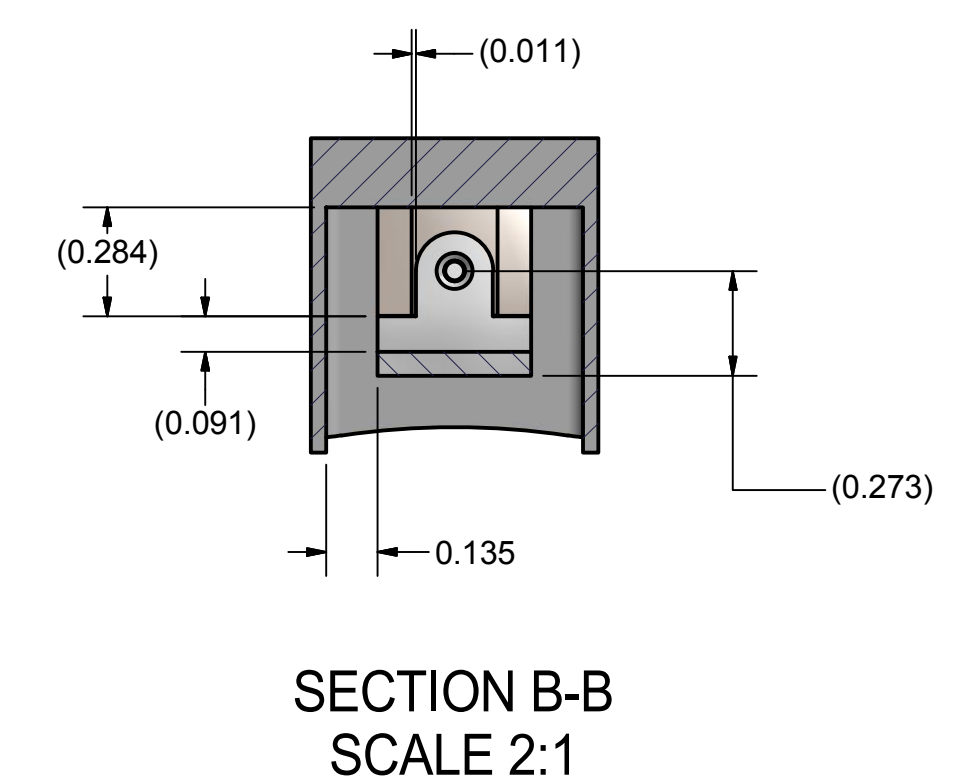
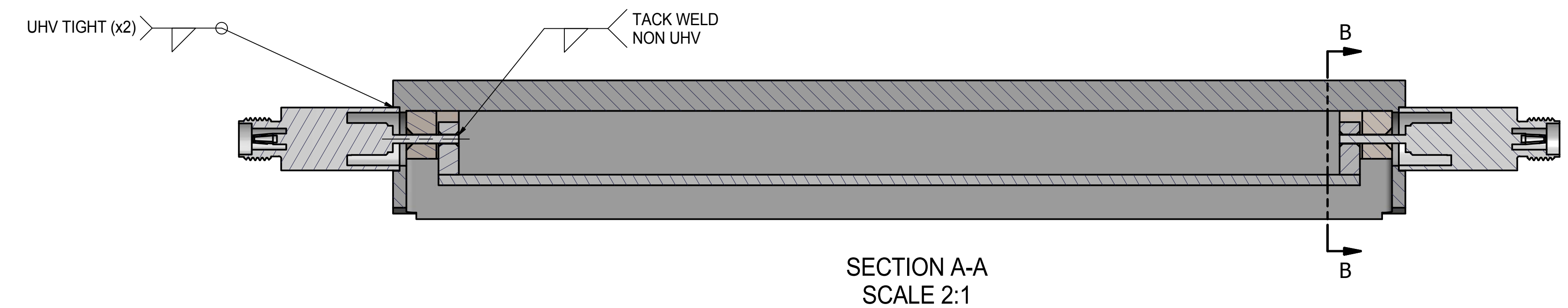
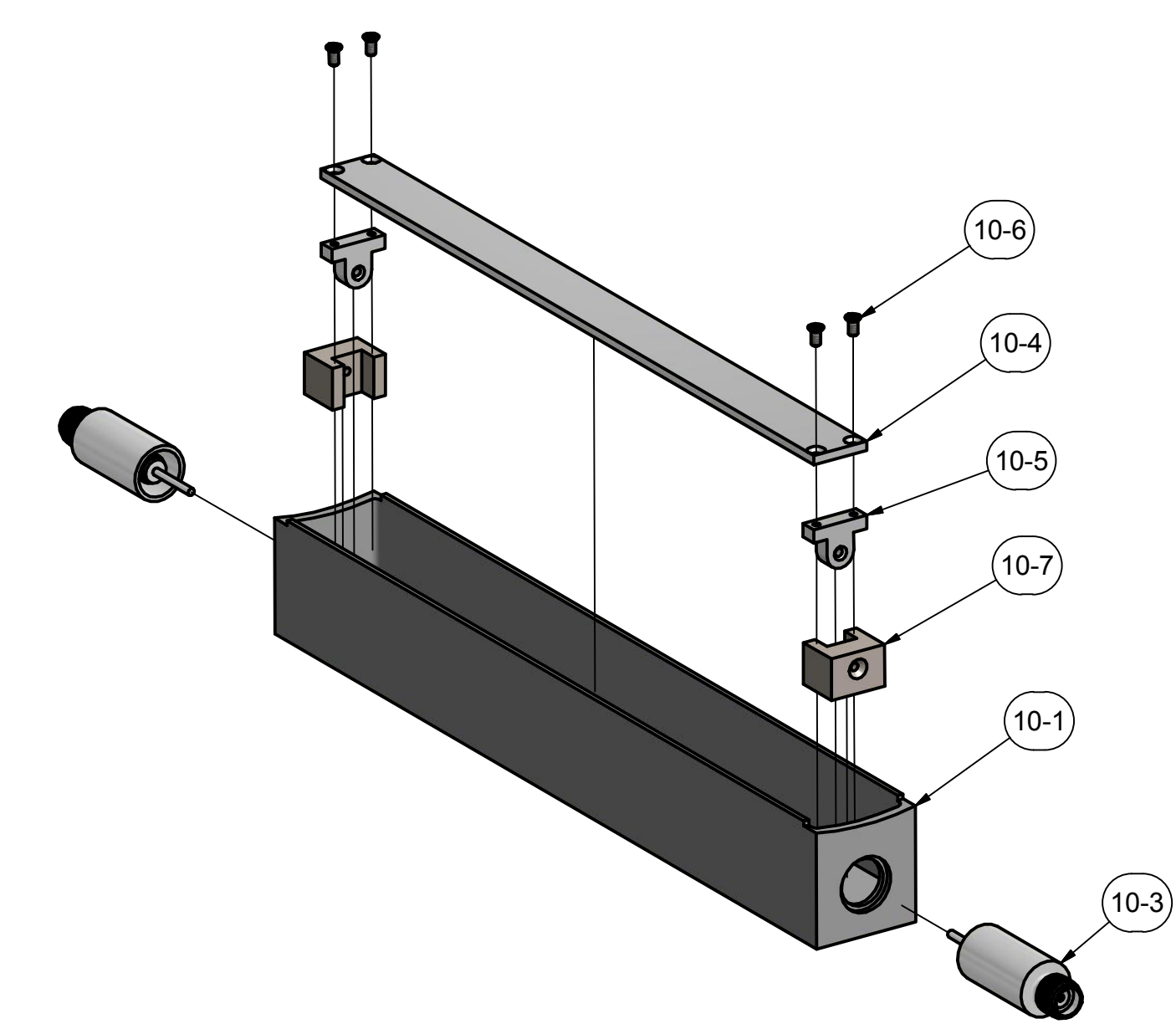
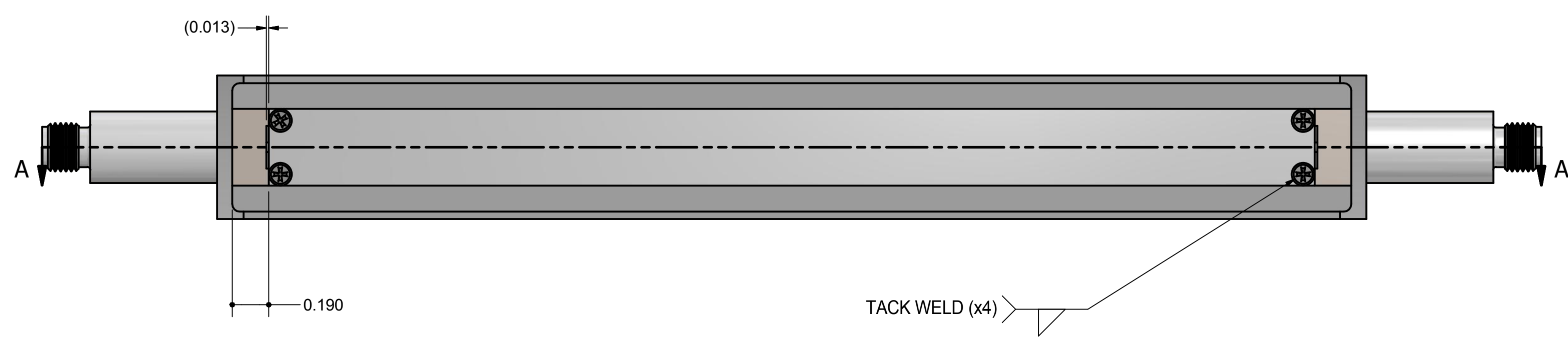
FILE NAME: 6085-222  
SHEET NO.: 1  
DFT. SCALE: 1:3  
MATERIAL:  
QTY: 1  
NOTES:

| RELEVANT APPROVALS REQUIRED BEFORE FABRICATION. |    |      |     |
|---|----|------|-----|
|   | OK | DATE | N/A |
| VACUUM PROPERTIES:                              |    |      |     |
| SYNCH. RAD. POWER:                              |    |      |     |
| H.O.M. HEATING:                                 |    |      |     |
| APERTURE CHECKOUT:                              |    |      |     |
| INSTALLATION PROCEDURE:                         |    |      |     |

| ITEM | DWG. NO. | DESCRIPTION                  | G1 | G2 | G3 | REMARKS | REV. |
|------|----------|------------------------------|----|----|----|---------|------|
| 14   | SHEET 4  | Thin Shim                    |    |    |    |         |      |
| 13   | SHEET 9  | Cooling Bar                  | 1  |    |    |         |      |
| 12   | SHEET 7  | Beam Pipe                    | 1  |    |    |         |      |
| 11   | SHEET 8  | Tapered Transition           | 2  |    |    |         |      |
| 10   | SHEET 2  | Collector Assembly           | 1  |    |    |         |      |
| 9    | SHEET 6  | MK 6 SS-CU Flange Assembly   | 2  |    |    |         |      |
| 8    | SHEET 9  | Straight Masked Transition   | 2  |    |    |         |      |
| 7    | PURCHASE | Copper Hose                  | 2  |    |    |         |      |
| 5    | SHEET 10 | Dual Collector Assembly      | 1  |    |    |         |      |
| 4    | SHEET 4  | Perforated Plate             | 1  |    |    |         |      |
| 3    | SHEET 4  | Angled Perforated Plate      | 2  |    |    |         |      |
| 2    | SHEET 5  | SST-BPM Assembly             | 2  |    |    |         |      |
| 1    | SHEET 1  | Q15W Vacuum Chamber Assembly | 1  |    |    |         |      |

|              |              |  |   |       |                             |      |
|--------------|--------------|--|---|-------|-----------------------------|------|
| D            | PRINT DISTR. | PLOT DATE:                                 |   |       |                             |      |
|              |              | CAD FILE NAME: 6085-222.idw                |   |       |                             |      |
| 6085-222     | CR-1         | UNLESS OTHERWISE SPECIFIED:                |   |       |                             |      |
|              |              | DIMENSIONS ARE IN INCHES:                  |   |       |                             |      |
| REV.         | sb626        | TOLERANCES ON:                             |   |       |                             |      |
|              |              | 0 ± .02                                    |   |       |                             |      |
|              |              | .00 ± .005                                 |   |       |                             |      |
|              |              | FRACTIONS ± 1/32                           |   |       |                             |      |
|              |              | ANGLES ± 0.5°                              |   |       |                             |      |
|              |              | ALL SURFACES                               |   |       |                             |      |
|              |              | Cornell University                         | Floyd R. Newman Laboratory                  |       | Robert R. Wilson Laboratory |      |
|              |              | Laboratory for Elementary-Particle Physics | Ithaca, NY 14853                            |       |                             |      |
|              |              |  | <b>Q15W Electron Cloud Detector Chamber</b> |       |                             |      |
| CHECKED BY:  | DRAWN BY     | DRAWN FOR                                  | DATE  | SCALE | 6085-222                    | REV. |
| APPROVED BY: | sb626        |  | 1/15/2016                                   | D     | SH. NO. 1 OF 11             |      |

| REVISIONS |      |             |           |
|-----------|------|-------------|-----------|
| SYM.      | ZONE | DESCRIPTION | DATE APP. |
|           |      |             |           |



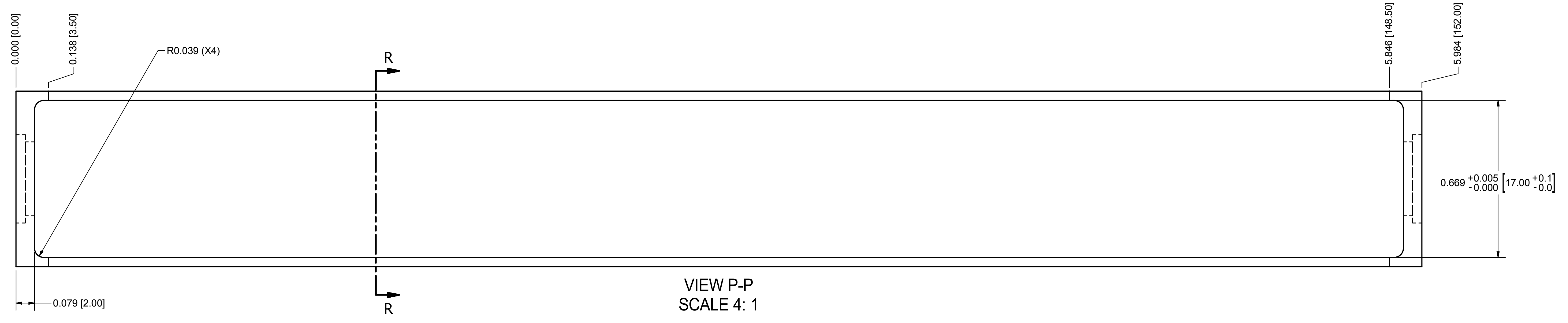
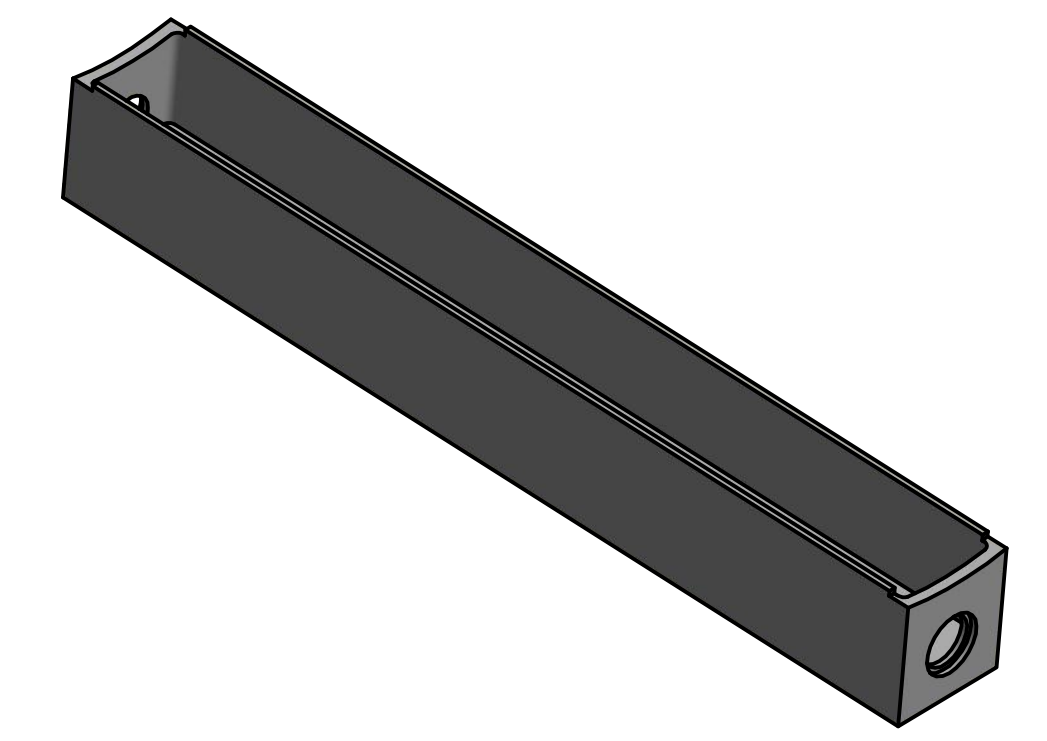
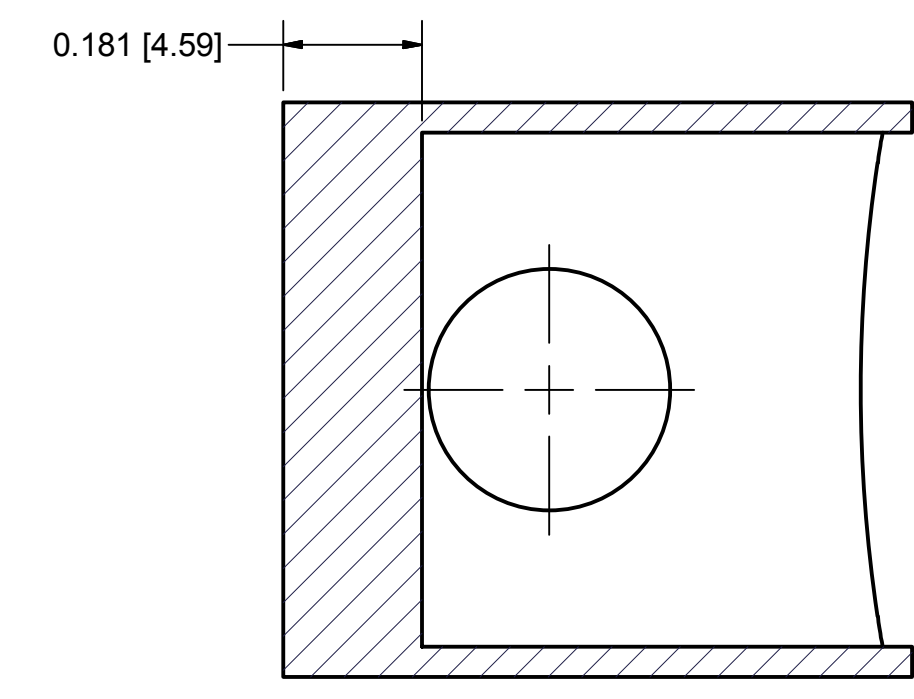
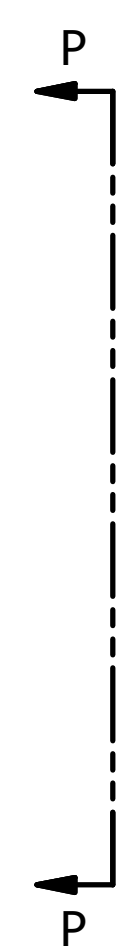
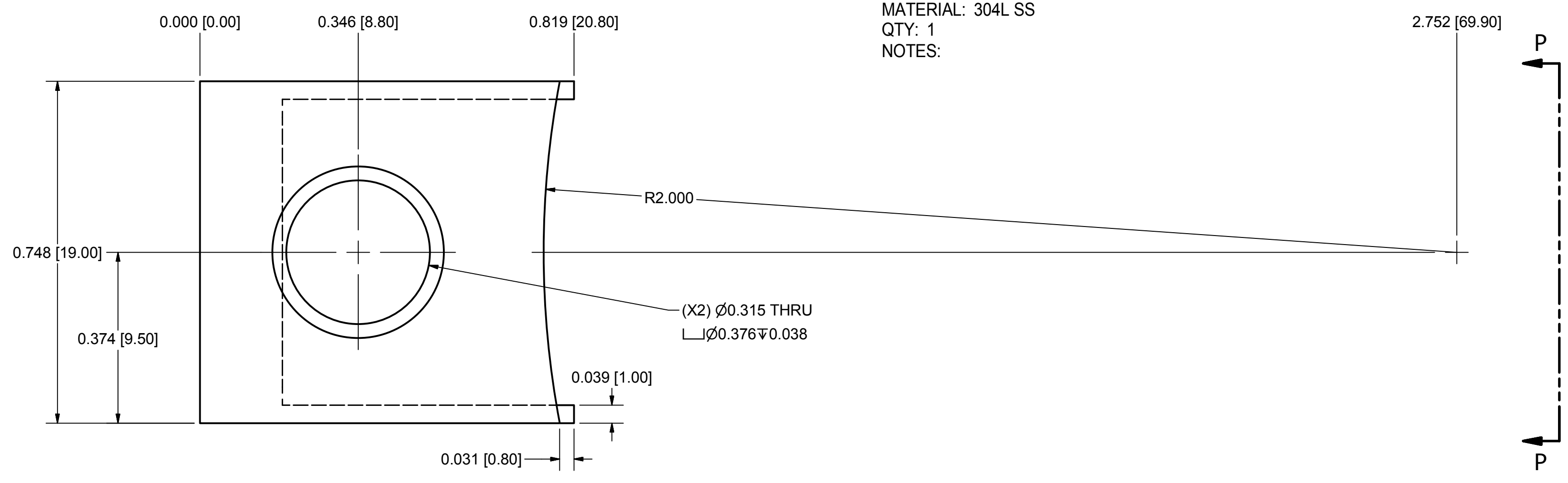
| ITEM | DWG. NO.                  | DESCRIPTION   | QTY | REMARKS      |
|------|---------------------------|---|-----|--------------|
| 10-7 | SHEET 4                   | Ceramic Jig   | 2   |              |
| 10-6 | ANSI B18.6.3 - 0-80 x 1/8 | Type II Cross Recessed Undercut Flat Countersunk Head Machine Screw | 4   |              |
| 10-5 | SHEET 4                   | Detector End Block  | 2   |              |
| 10-4 | SHEET 3                   | Detector Plate  | 1   |              |
| 10-3 | PURCHASE                  | SMA Feedthrough   | 2   | SST #FA25858 |
| 10-1 | SHEET 3                   | Collector Housing   | 1   |              |
| 10   | SHEET 2                   | Collector Assembly  | 1   |              |

|          |              |   |   |                             |              |
|----------|--------------|---|---|-----------------------------|--------------|
| D        | PRINT DISTR. | PLOT DATE:  |   | CAD FILE NAME: 6085-222.idw |              |
|          | CR-1         | UNLESS OTHERWISE SPECIFIED:<br>DIMENSIONS ARE IN INCHES;<br>TOLERANCES ON:<br>0 ± .02<br>.00 ± .010<br>.000 ± .005<br>FRACTIONS ± 1/32<br>ANGLES ± 0.5°<br>ALL SURFACES | Cornell University<br>Laboratory for Elementary-Particle Physics<br>Floyd R. Newman Laboratory<br>Robert R. Wilson Laboratory<br>Ithaca, NY 14853 |                             | REV.         |
| 6085-222 | SH. NO. 2    | OF 11   | CHECKED BY:   | DRAWN BY: sb626             | DRAWN FOR: 2 |
| REV.     | APPROVED BY: | DATE: 1/15/2016   | SCALE: D  | 6085-222                    | REV.         |
| 3        |              |   |   | SH. NO. 2                   | OF 11        |

| REVISIONS |      |             |      |      |
|-----------|------|-------------|------|------|
| SYM.      | ZONE | DESCRIPTION | DATE | APP. |
|           |      |             |      |      |

**10-1** Collector Housing

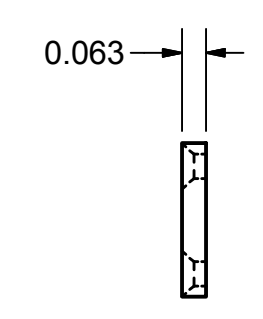
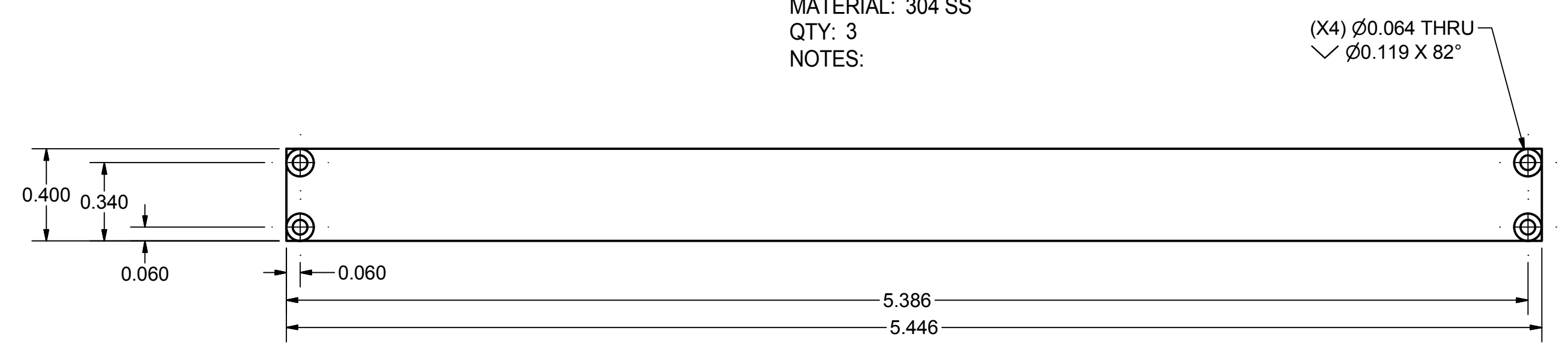
FILE NAME: 6085-222  
 SHEET NO.: 3  
 DFT. SCALE: 5:1  
 MATERIAL: 304L SS  
 QTY: 1  
 NOTES:



VIEW P-P  
SCALE 4: 1

**10-4** Detector Plate

FILE NAME: 6085-222  
 SHEET NO.: 3  
 DFT. SCALE: 2:1  
 MATERIAL: 304 SS  
 QTY: 3  
 NOTES:

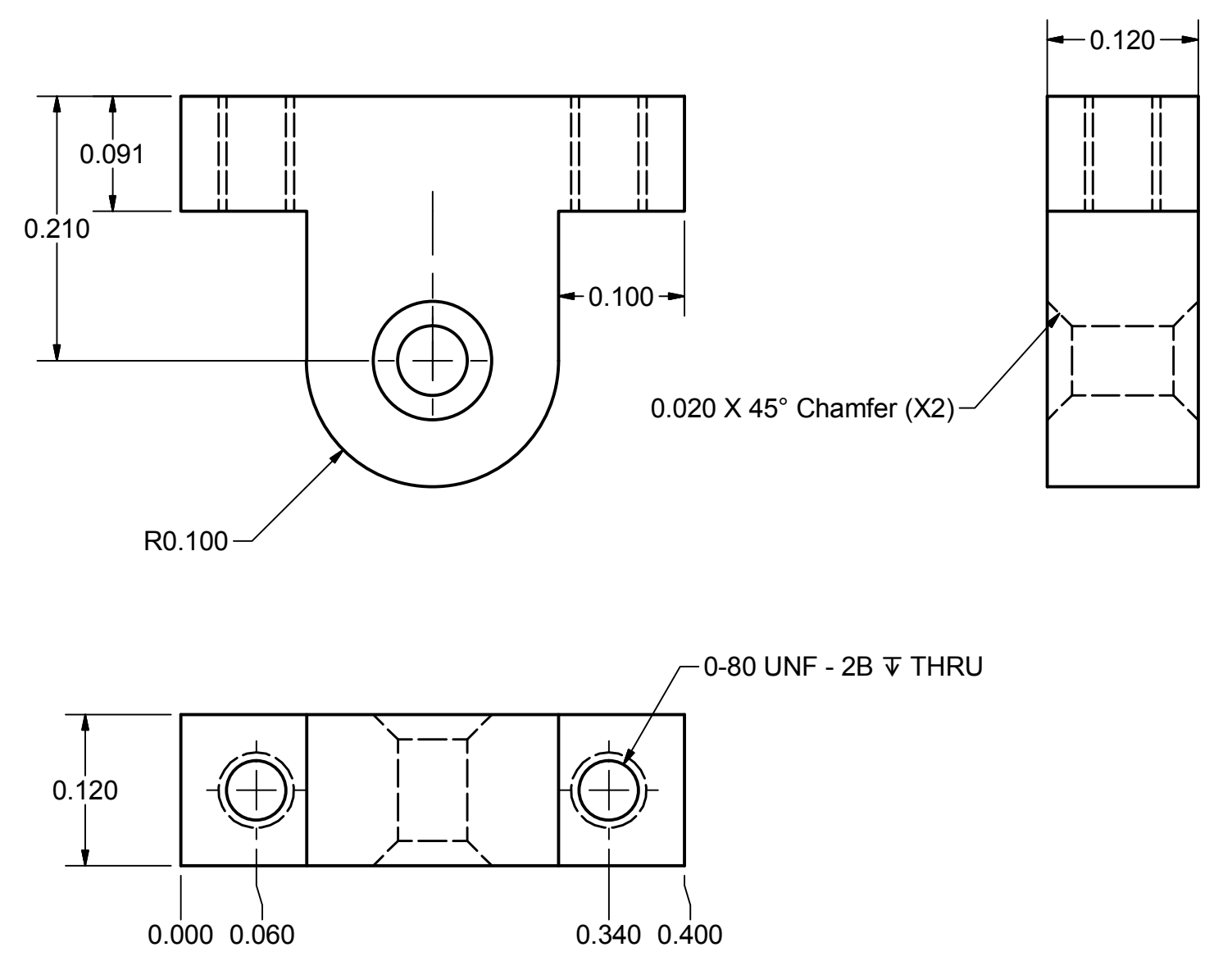


| REV.                           | PRINT<br>DISTR. | ITEM | DWG. NO.          | DESCRIPTION   | G1  | G2         | G3                             | REMARKS                 | REV. |
|--------------------------------|-----------------|------|-------------------|---|---|------------|--------------------------------|-------------------------|------|
|                                |                 |      |                   |   | QUANTITY  |            |                                |                         |      |
| D                              |                 |      |                   | PLOT DATE:<br>CAD FILE NAME: 6085-222.idw   |   |            |                                |                         |      |
| 6085-222<br>SH. NO. 3<br>OF 11 | CR-1            |      |                   | UNLESS OTHERWISE SPECIFIED:<br>DIMENSIONS ARE IN INCHES;<br>TOLERANCES ON:<br>0 ± .02<br>.00 ± .010<br>.000 ± .005<br>FRACTIONS ± 1/32<br>ANGLES ± 0.5°<br>ALL SURFACES $\sphericalangle$ | Cornell University<br>Laboratory for Elementary-Particle Physics<br>Floyd R. Newman Laboratory<br>Robert R. Wilson Laboratory<br>Ithaca, NY 14853 |            |                                | <b>Detector Housing</b> |      |
|                                | CHECKED BY:     |      | DRAWN BY<br>sb626 | DRAWN FOR<br>2  | DATE<br>1/15/2016   | SCALE<br>D | 6085-222<br>SH. NO. 3<br>OF 11 |                         |      |

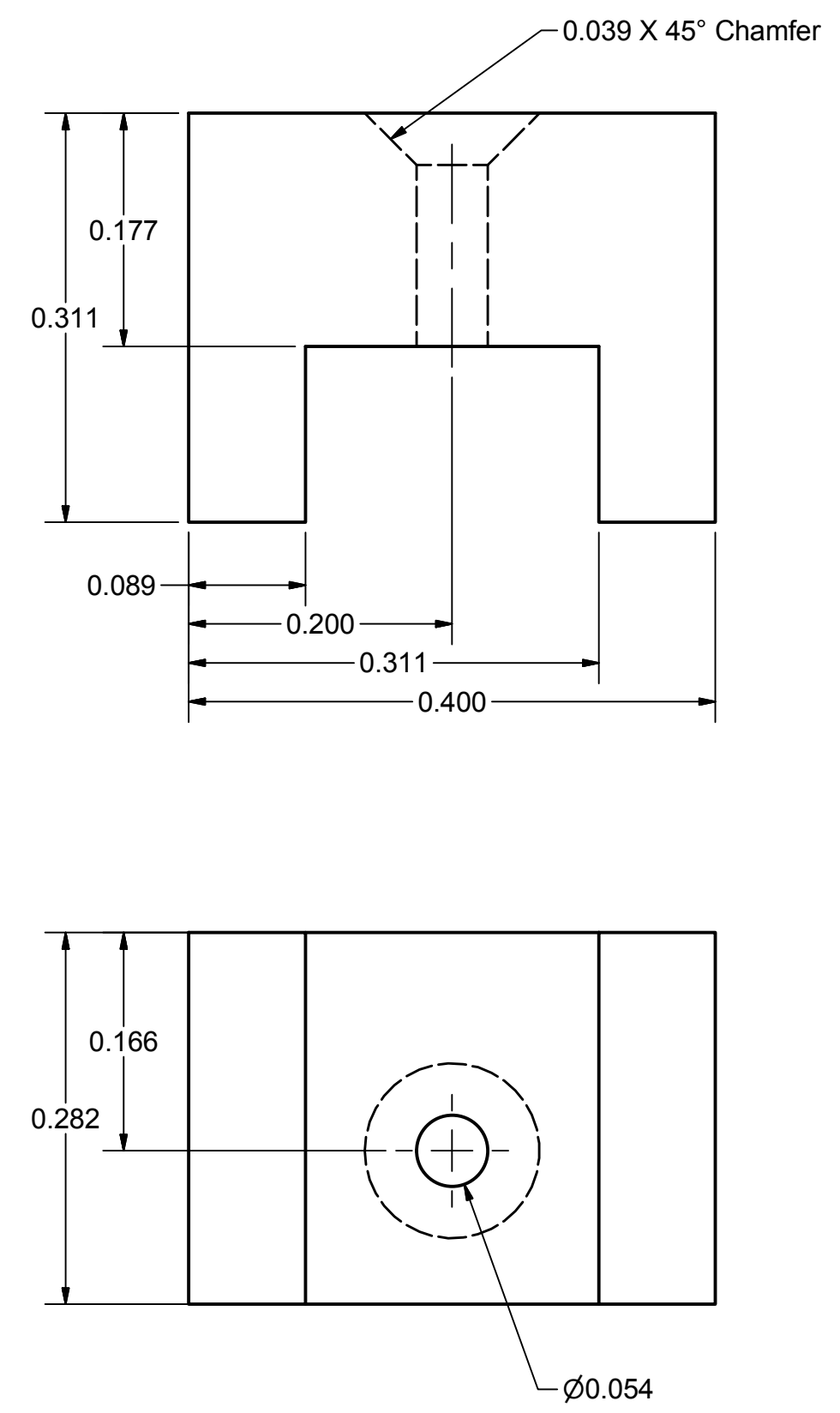


| REVISIONS |      |             |           |
|-----------|------|-------------|-----------|
| SYM.      | ZONE | DESCRIPTION | DATE APP. |
|           |      |             |           |

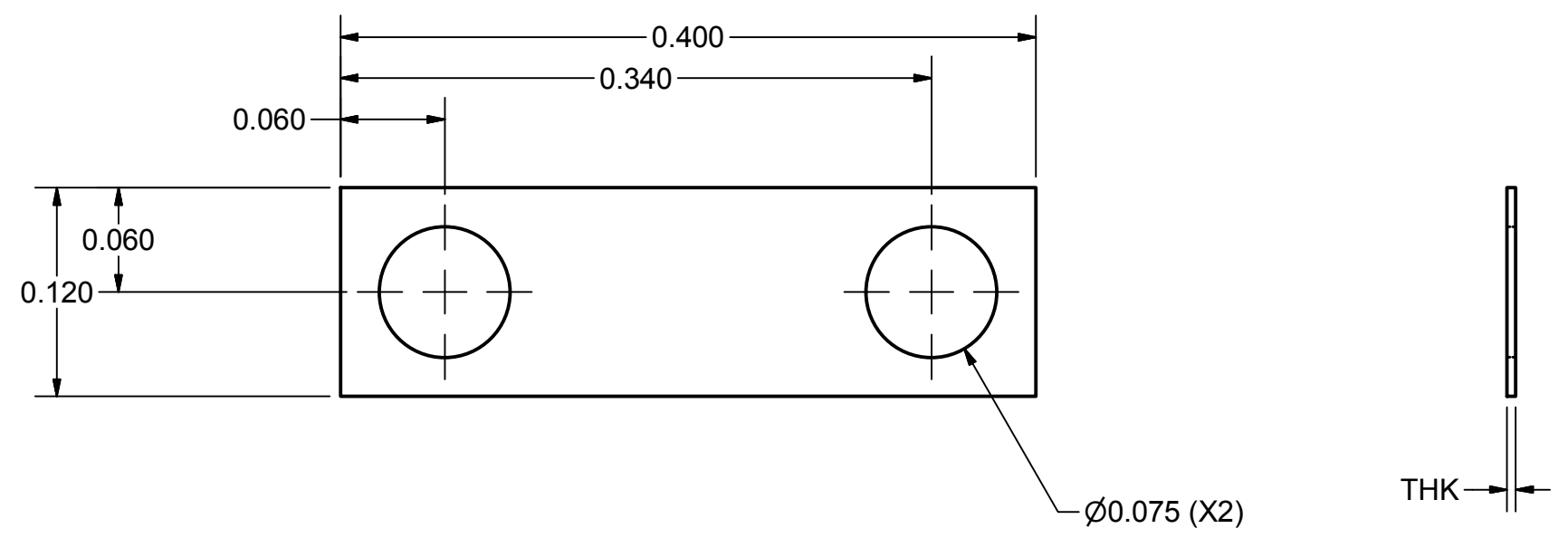
**10-5** Detector End Block  
 FILE NAME: 6085-222  
 SHEET NO.: 4  
 DFT. SCALE: 8:1  
 MATERIAL: 304L SS  
 QTY: 6  
 NOTES:



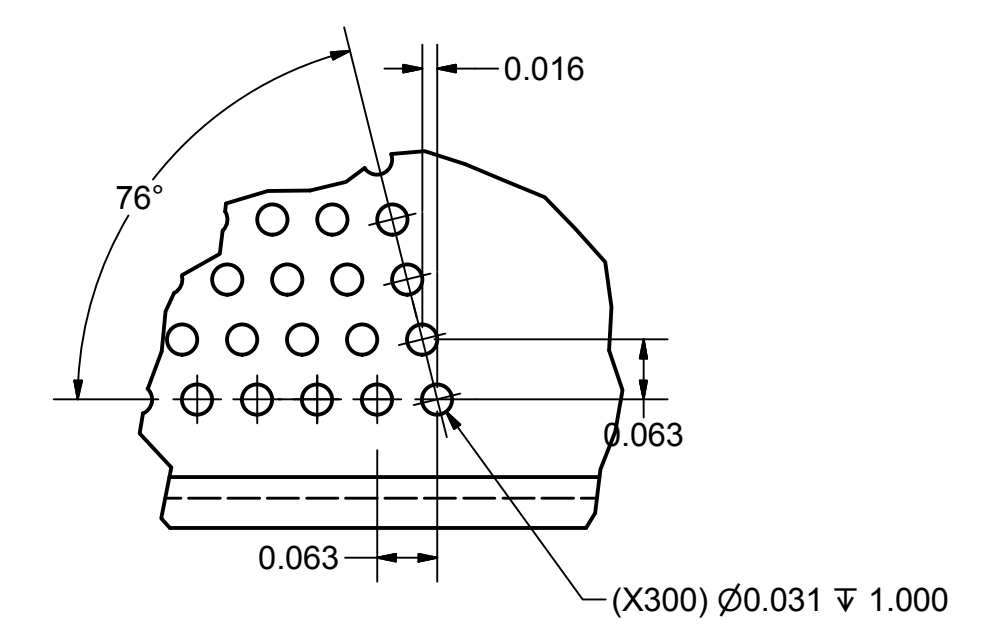
**10-7** Ceramic Jig  
 FILE NAME: 6085-222  
 SHEET NO.: 4  
 DFT. SCALE: 8:1  
 MATERIAL: MACOR  
 QTY: 6  
 NOTES:



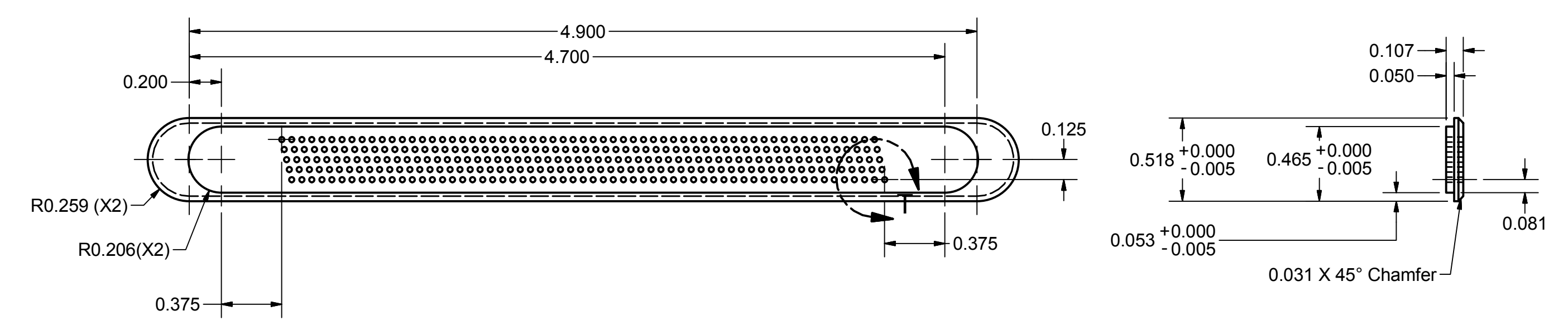
**13** Thin Shim  
 FILE NAME: 6085-222  
 SHEET NO.: 4  
 DFT. SCALE: 10:1  
 MATERIAL: 304 SS  
 QTY: See Notes  
 NOTES: THK=0.005" (QTY=30)  
 THK=0.009" (QTY=20)  
 THK=0.020" (QTY=20)  
 THK=0.030" (QTY=20)



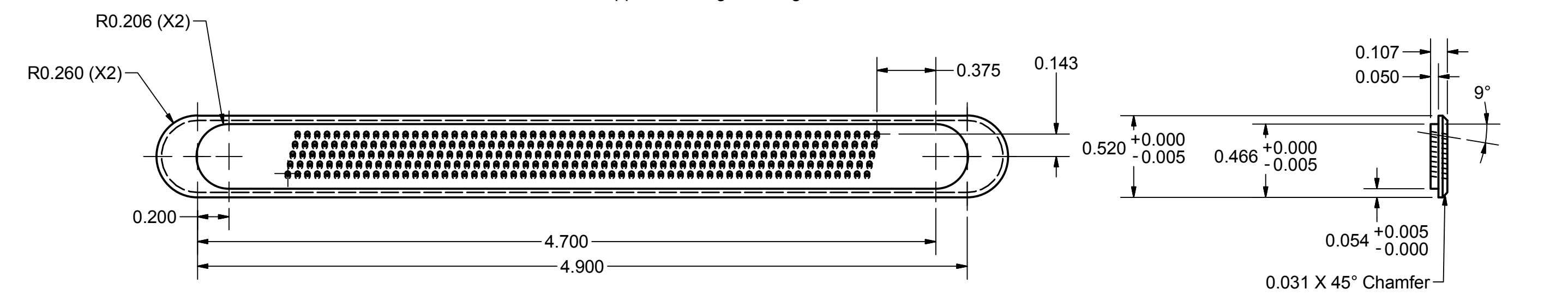
**DETAIL T**  
 SCALE 5 : 1



**4** Perforated Plate  
 FILE NAME: 6085-222  
 SHEET NO.: 4  
 DFT. SCALE: 3:2  
 MATERIAL: 304L SS  
 QTY: 1  
 NOTES: Perforations shall be made with Die-sink EDM

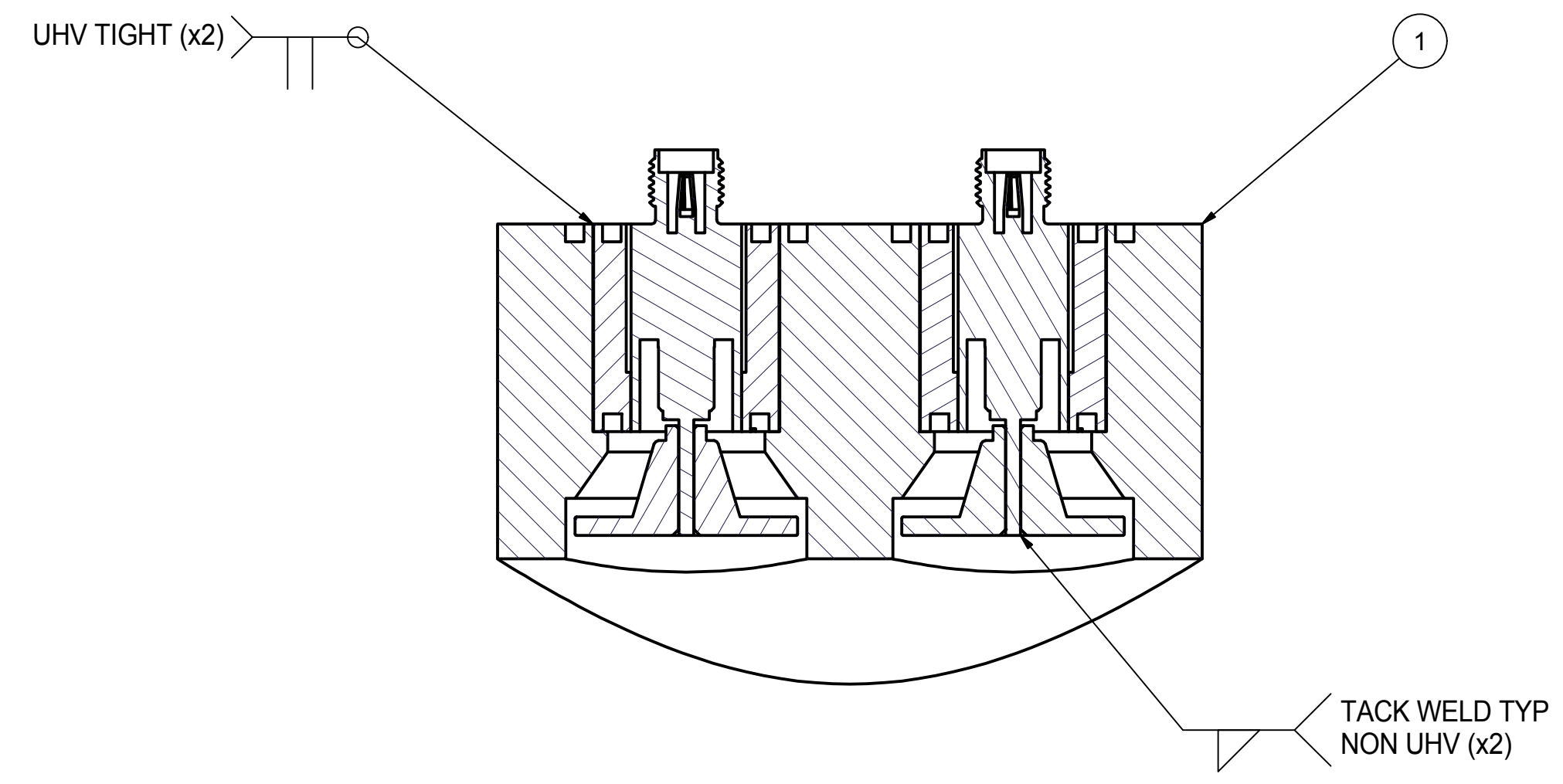
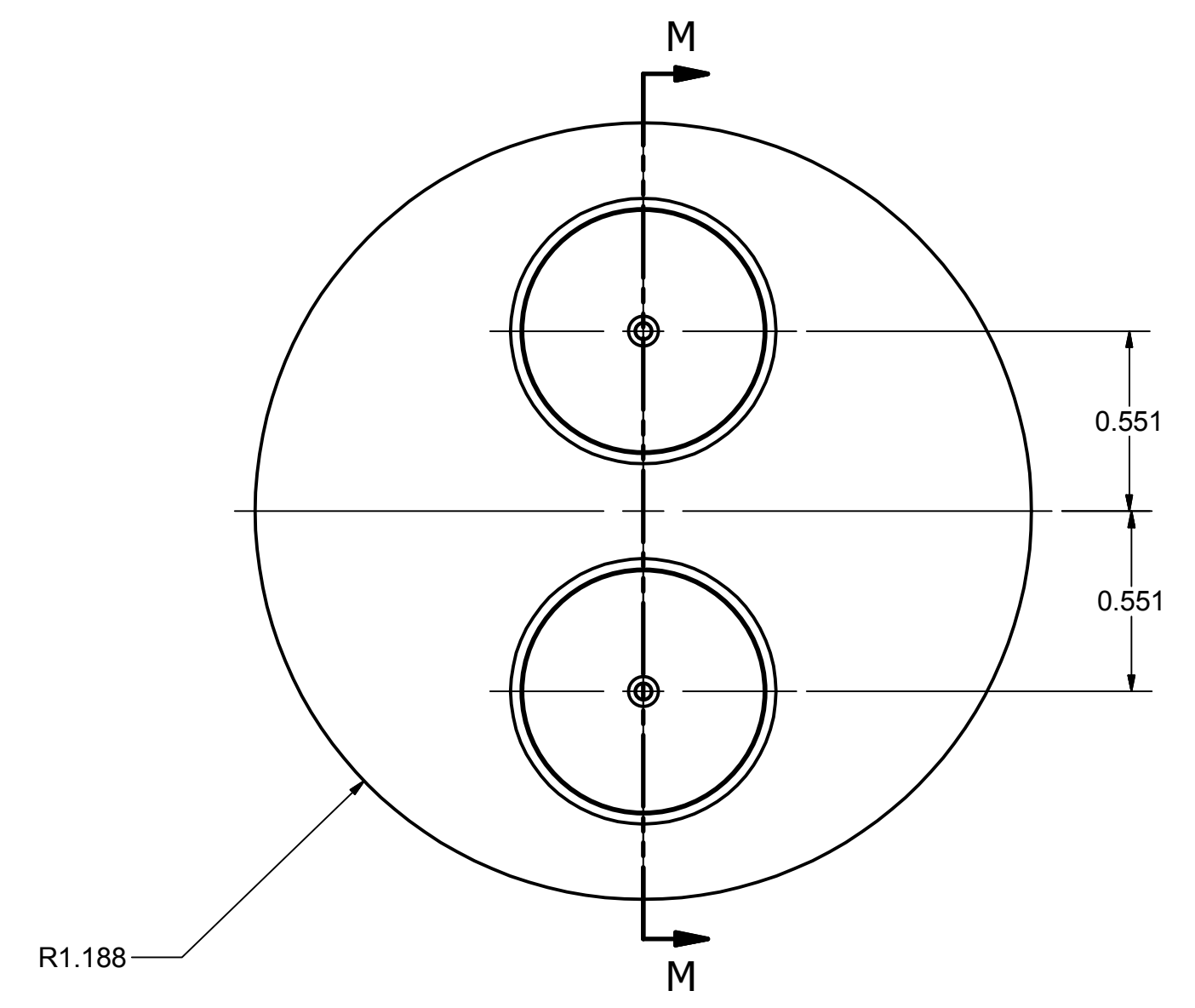


**3** Angled Perforated Plate  
 FILE NAME: 6085-222  
 SHEET NO.: 4  
 DFT. SCALE: 3:2  
 MATERIAL: 304L SS  
 QTY: 2  
 NOTES: See detail "T" for hole pattern.  
 Part is identical to item 4 except the perforations are flipped and angled 9 degrees.

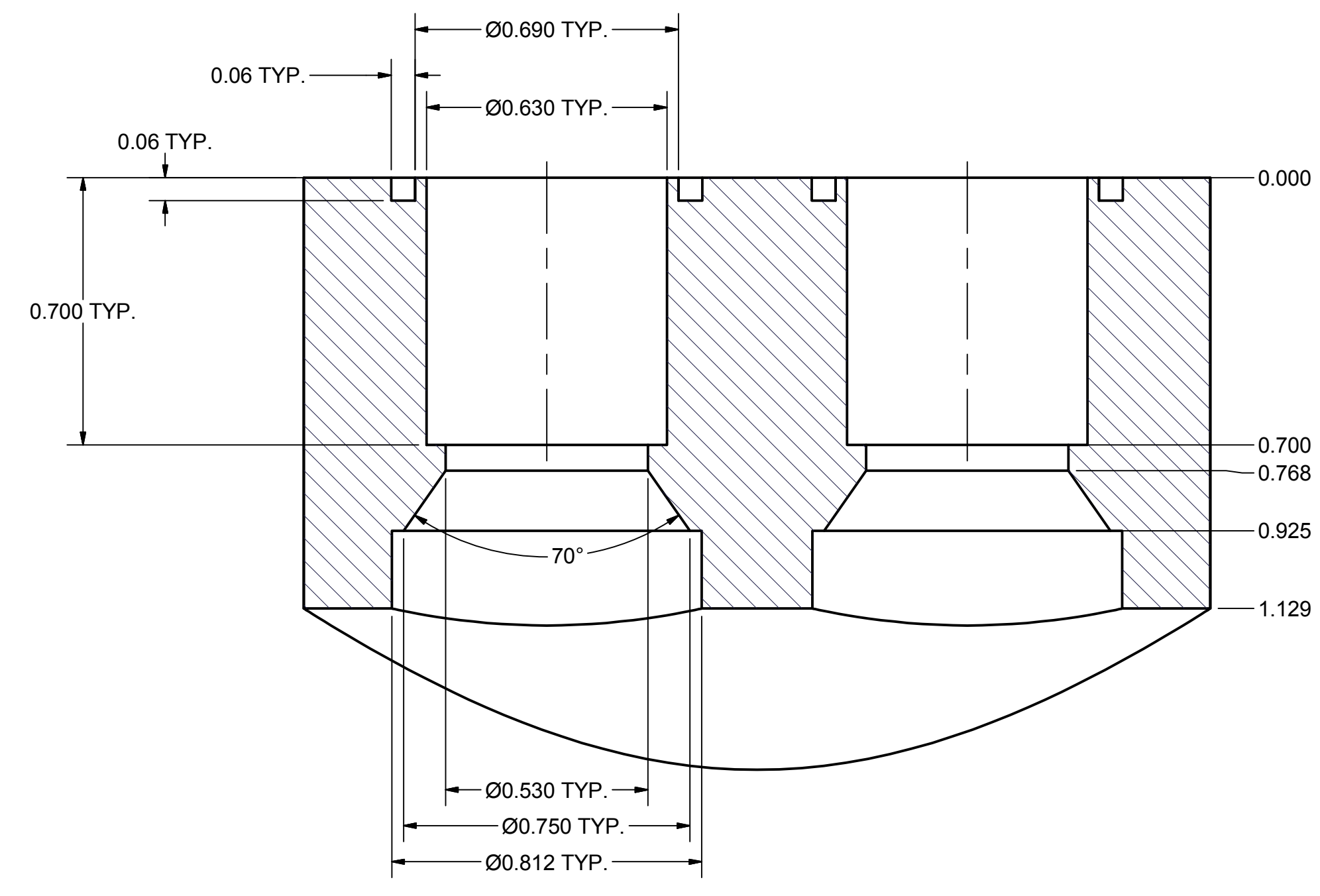
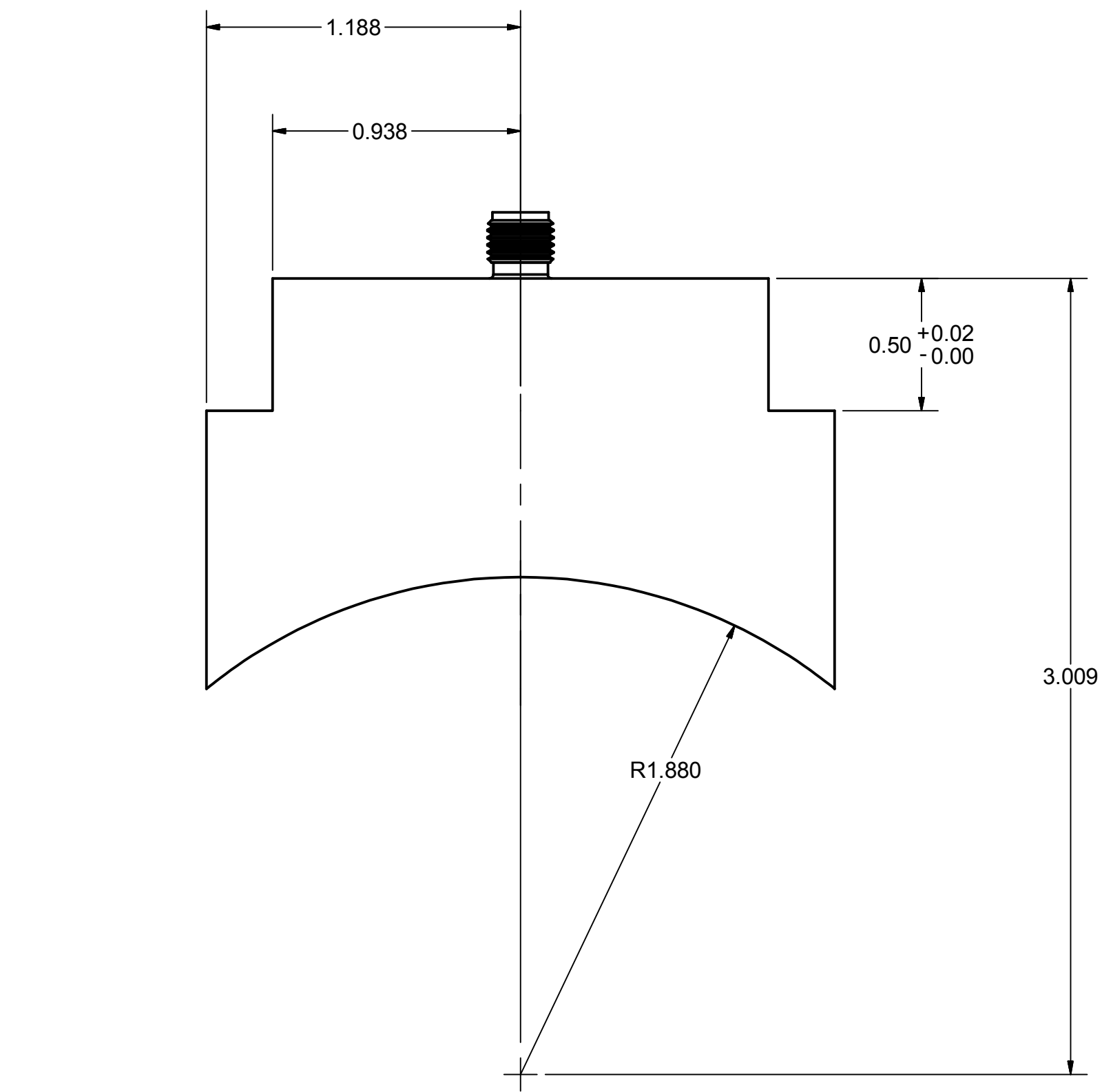


| REV.     | SYM.         | ZONE | ITEM | DWG. NO. | DESCRIPTION   | G1        | G2        | G3    | REMARKS  | REV.  |
|----------|--------------|------|------|----------|---|-----------|-----------|-------|--|---|
|          |              |      |      |          |   | QUANTITY  |           |       |  |   |
| D        | PRINT        |      |      |          | PLOT DATE:  |           |           |       |  |   |
|          | DISTR.       |      |      |          | CAD FILE NAME: 6085-222.idw   |           |           |       |  |   |
| 6085-222 | CR-1         |      |      |          | UNLESS OTHERWISE SPECIFIED:<br>DIMENSIONS ARE IN INCHES;<br>TOLERANCES ON:<br>0 ± .02<br>.00 ± .010<br>.000 ± .005<br>FRACTIONS ± 1/32<br>ANGLES ± 0.5°<br>ALL SURFACES |           |           |       | Cornell University<br>Laboratory for Elementary-Particle Physics | Floyd R. Newman Laboratory<br>Robert R. Wilson Laboratory<br>Ithaca, NY 14853 |
|          |              |      |      |          |   |           |           |       | Misc. Parts  |   |
|          | CHECKED BY:  |      |      |          | DRAWN BY  | DRAWN FOR | DATE      | SCALE | 6085-222   | REV.  |
|          | APPROVED BY: |      |      |          | sb626   | 2         | 1/15/2016 | D     | SH. NO. 4 OF 11  |   |

| REVISIONS |      |             |           |
|-----------|------|-------------|-----------|
| SYM.      | ZONE | DESCRIPTION | DATE APP. |
|           |      |             |           |

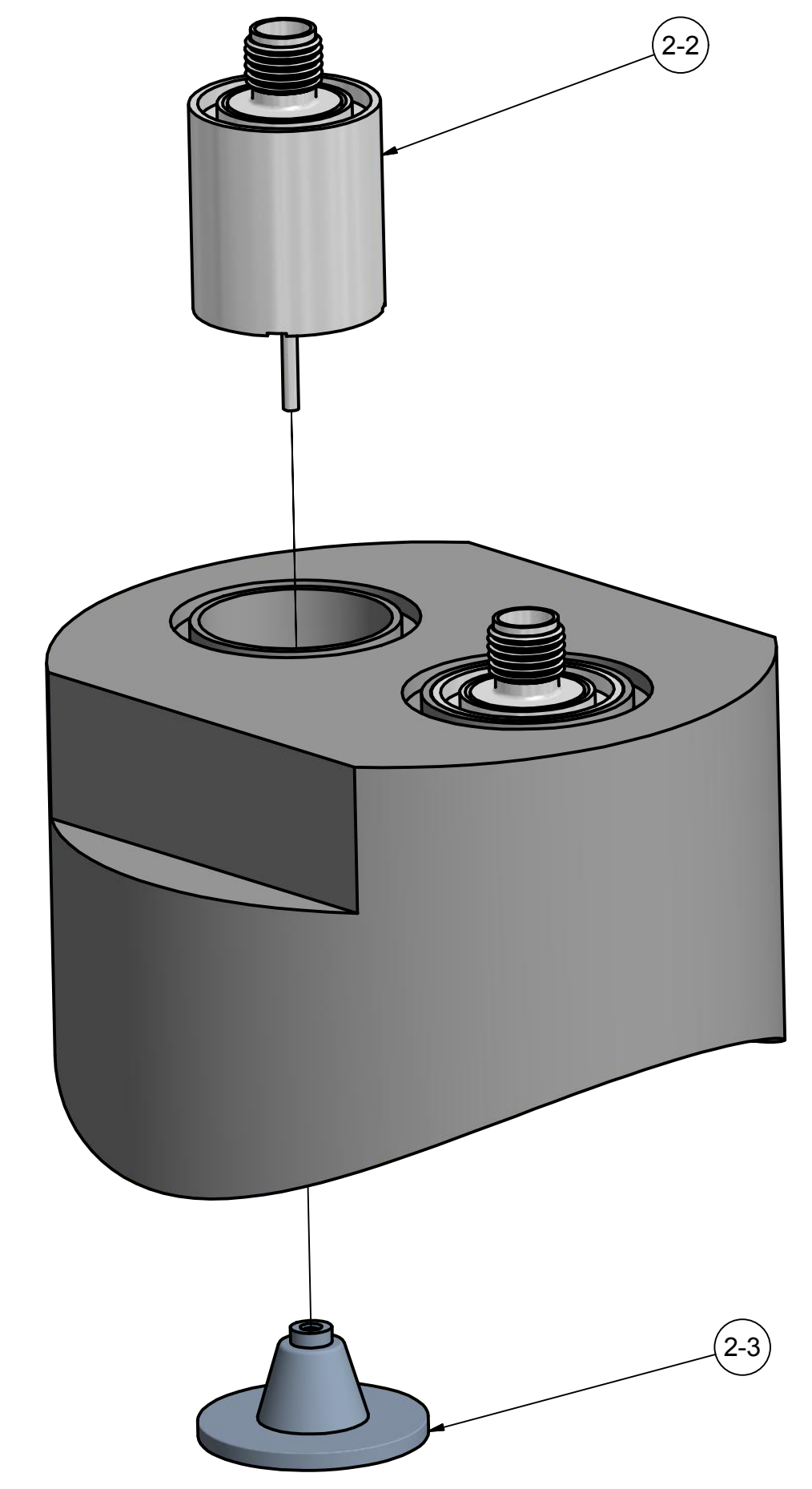


SECTION M-M  
SCALE 2 : 1  
ROTATED 90 CW



SECTION M-M  
SCALE 3: 1  
ROTATED 90 CW

2-1 SST-BPM Block  
FILE NAME: 6085-222  
SHEET NO.: 5  
DFT. SCALE: 3:1  
MATERIAL: 304L SS  
QTY: 1/Assembly  
NOTES:



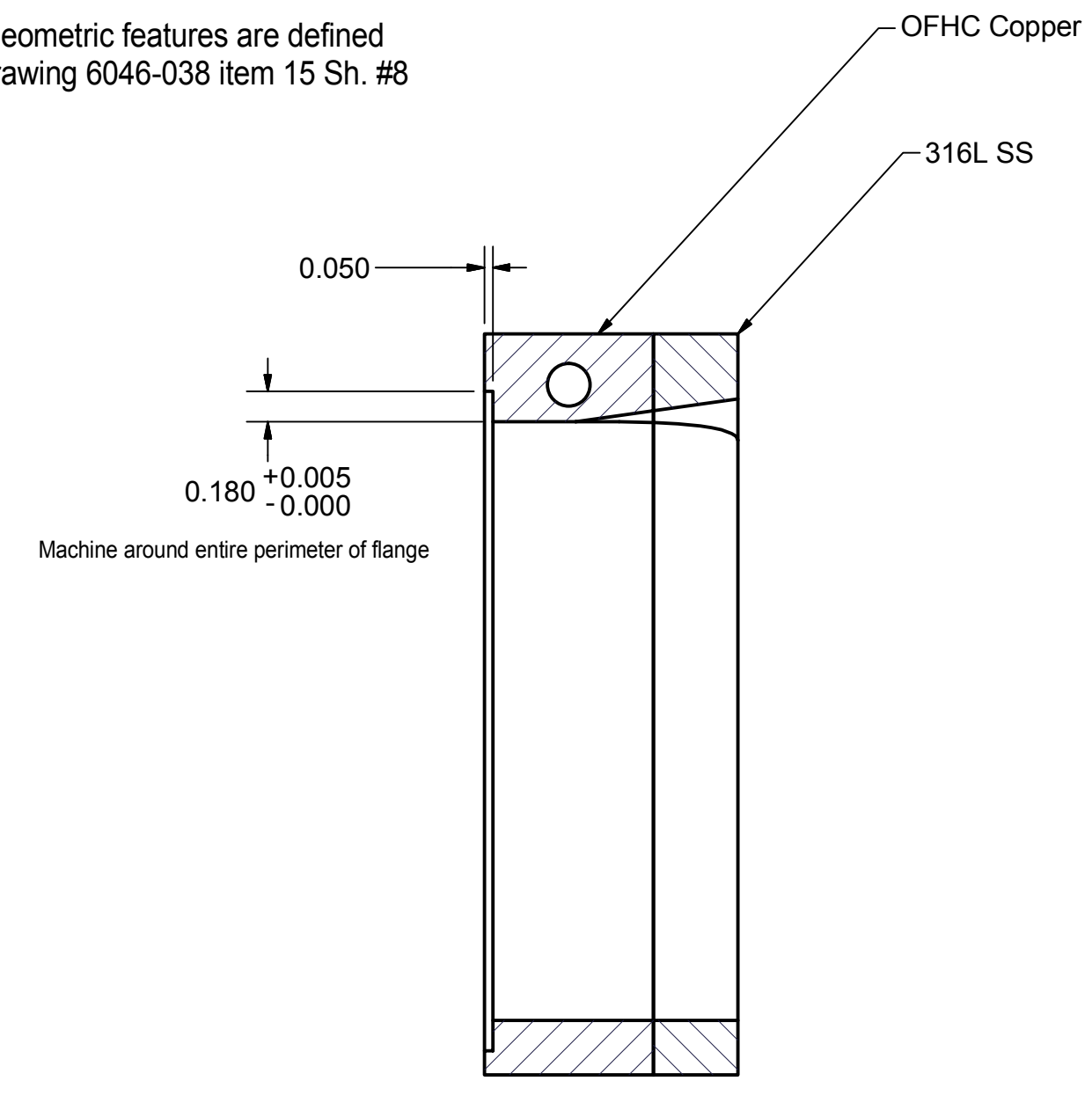
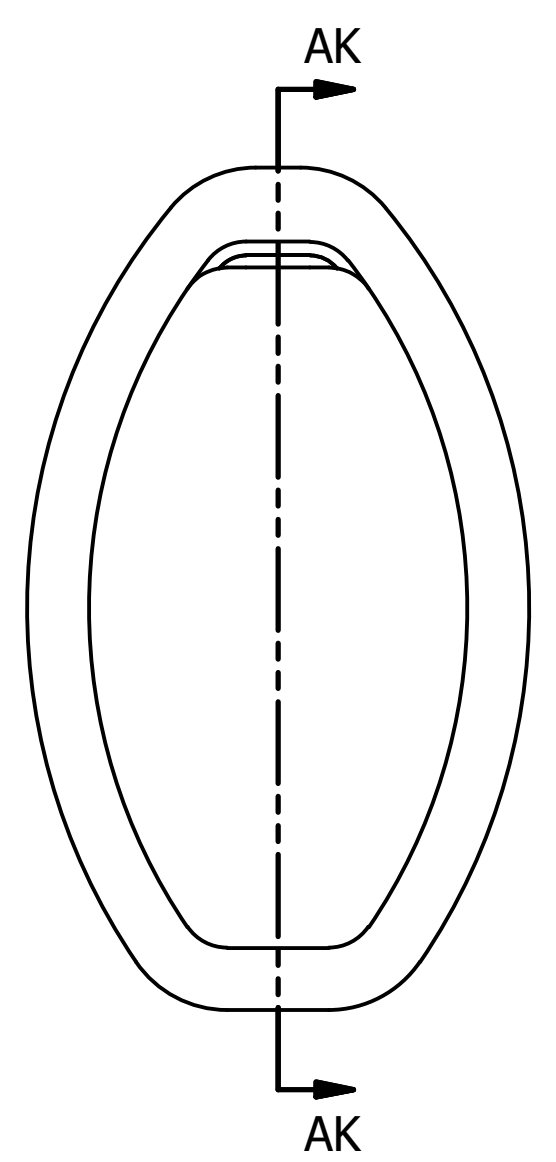
| ITEM | DWG. NO.                    | DESCRIPTION      | G1 | G2 | G3 | REMARKS        | REV. |
|------|-----------------------------|------------------|----|----|----|----------------|------|
| 2-3  | 6085-021 (Sheet 1, Item #3) | BPM Button       | 2  |    |    |                |      |
| 2-2  | 6085-060 (Sheet 3, Item #2) | SMA with Adaptor | 2  |    |    | SMA: SST-25858 |      |
| 2-1  | SHEET 6                     | SST-BPM Block    | 1  |    |    |                |      |
| 2    | SHEET 6                     | SST-BPM Assembly | 2  |    |    |                |      |

|          |        |                             |   |          |           |           |       |   |          |       |
|----------|--------|-----------------------------|---|----------|-----------|-----------|-------|---|----------|-------|
| D        | PRINT  | PLOT DATE:                  |   |          |           |           |       |   |          |       |
|          | DISTR. | CAD FILE NAME:              | 6085-222.idw  |          |           |           |       |   |          |       |
| 6085-222 | CR-1   | UNLESS OTHERWISE SPECIFIED: | Cornell University<br>Laboratory for Elementary-Particle Physics<br>Floyd R. Newman Laboratory<br>Robert R. Wilson Laboratory<br>Ithaca, NY 14853 |          |           |           |       |   |          |       |
|          |        | DIMENSIONS ARE IN INCHES:   |   |          |           |           |       |   |          |       |
| REV.     |        | TOLERANCES ON:              | <b>SST-BPM Assembly</b>   |          |           |           |       |   |          |       |
|          |        | 0 ± .02                     |   |          |           |           |       |   |          |       |
|          |        | .00 ± .010                  | CHECKED BY:   | DRAWN BY | DRAWN FOR | DATE      | SCALE | D | 6085-222 | REV.  |
|          |        | .000 ± .005                 | APPROVED BY:  | sb626    | 2         | 1/15/2016 |       |   | SH. NO 5 | OF 11 |
|          |        | FRACTIONS ± 1/32            |   |          |           |           |       |   |          |       |
|          |        | ANGLES ± 0.5°               |   |          |           |           |       |   |          |       |
|          |        | ALL SURFACES                |   |          |           |           |       |   |          |       |

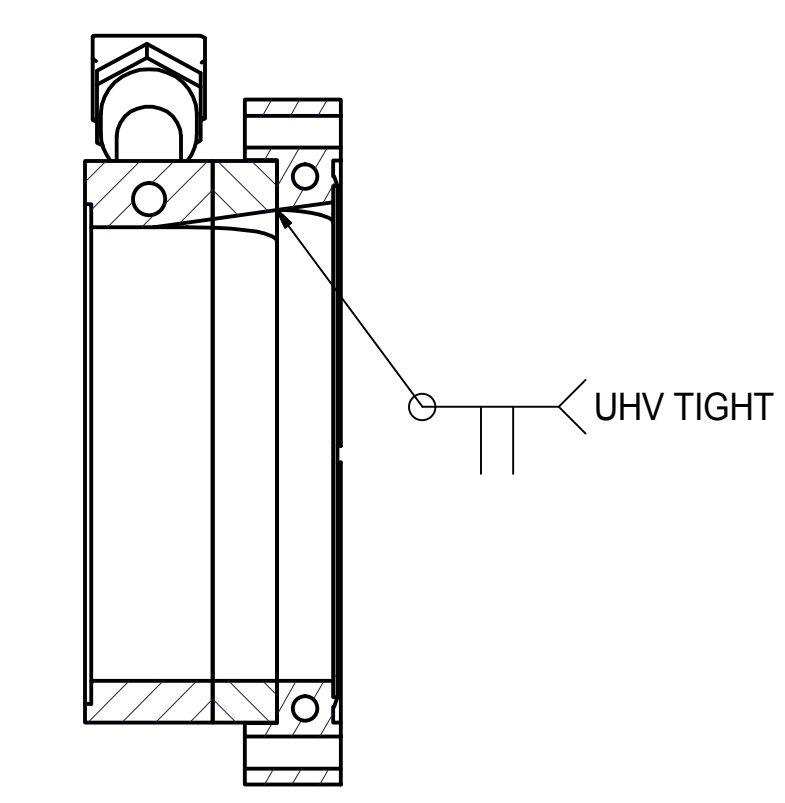
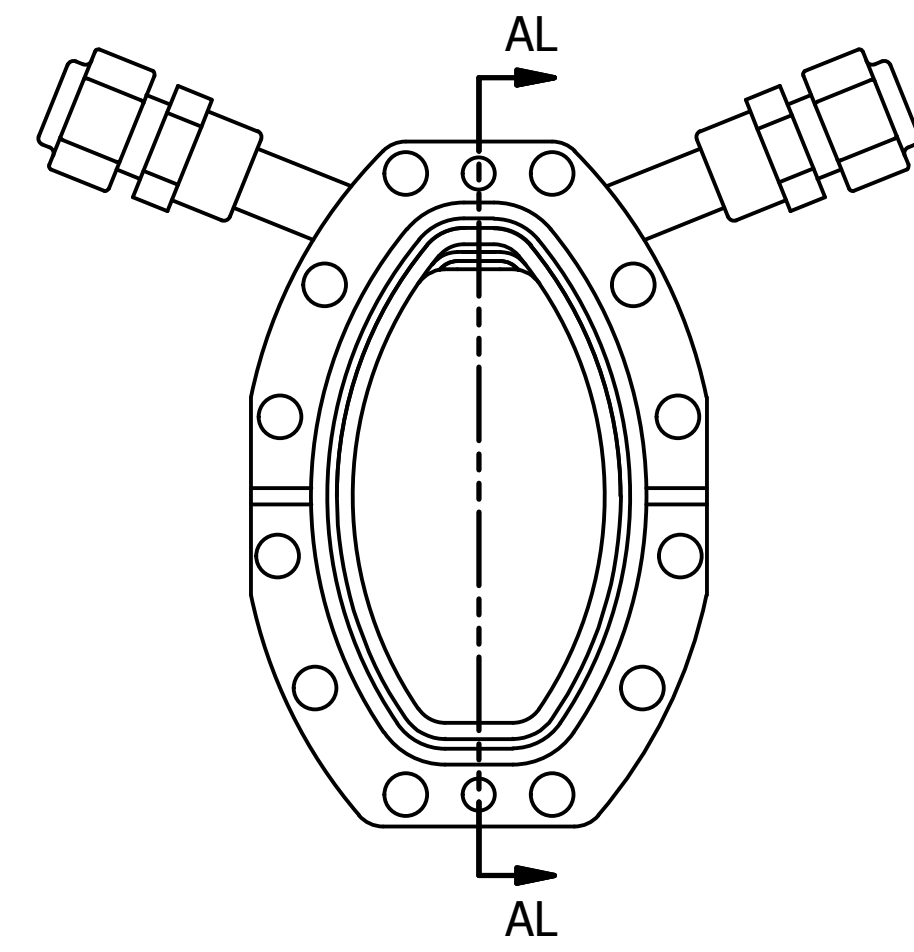
| REVISIONS |      |             |           |
|-----------|------|-------------|-----------|
| SYM.      | ZONE | DESCRIPTION | DATE APP. |

**9-1 Explosion Bonded Transition**

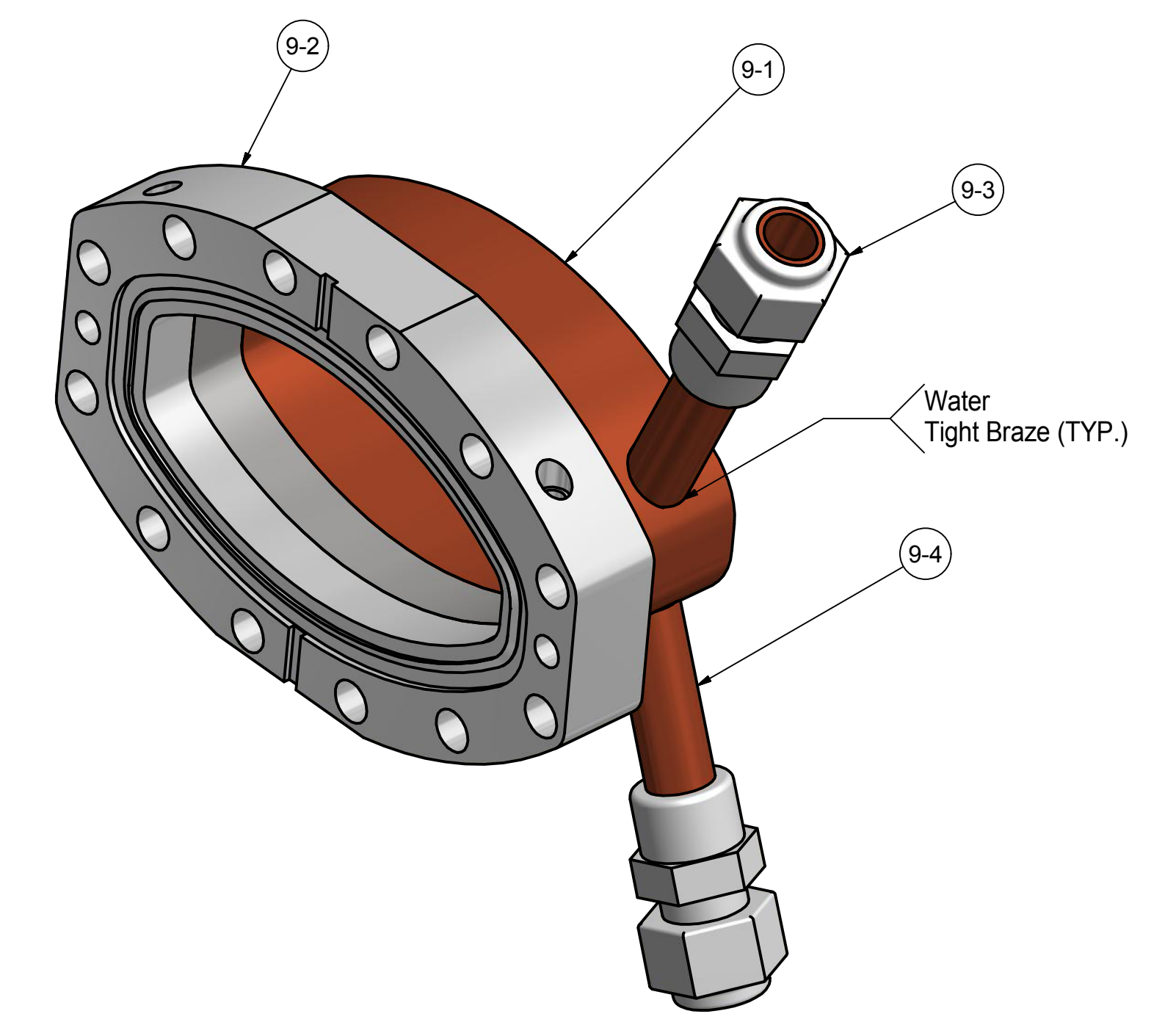
FILE NAME: 6085-222  
 SHEET NO.: 6  
 DFT. SCALE: 1:1  
 MATERIAL: OFHC Copper to 316L SS  
 QTY: 2  
 NOTES: All geometric features are defined in drawing 6046-038 item 15 Sh. #8



SECTION AK-AK  
SCALE 1:1



SECTION AL-AL  
SCALE 2:3



**9 MK 6 SS Cu Flange Assembly**  
 FILE NAME: 6085-222  
 SHEET NO.: 6  
 DFT. SCALE: 1  
 MATERIAL:  
 QTY: 2  
 NOTES:

| ITEM | DWG. NO.                 | DESCRIPTION                       | QTY | G1 | G2 | G3 | REMARKS | REV. |
|------|--------------------------|-----------------------------------|-----|----|----|----|---------|------|
| 9-4  | PURCHASE                 | Copper Hose                       | 2   |    |    |    |         |      |
| 9-3  | 6046-038-pt18            | Hose Fitting                      | 2   |    |    |    |         |      |
| 9-2  | 6046-038 (Sh.2, Item. 5) | OVAL FLANGE                       | 1   |    |    |    |         |      |
| 9-1  | SHEET 6                  | Explosion Bonded Transition SS-CU | 1   |    |    |    |         |      |
| 9    | SHEET 6                  | MK 6 SS-CU Flange Assembly        | 1   |    |    |    |         |      |

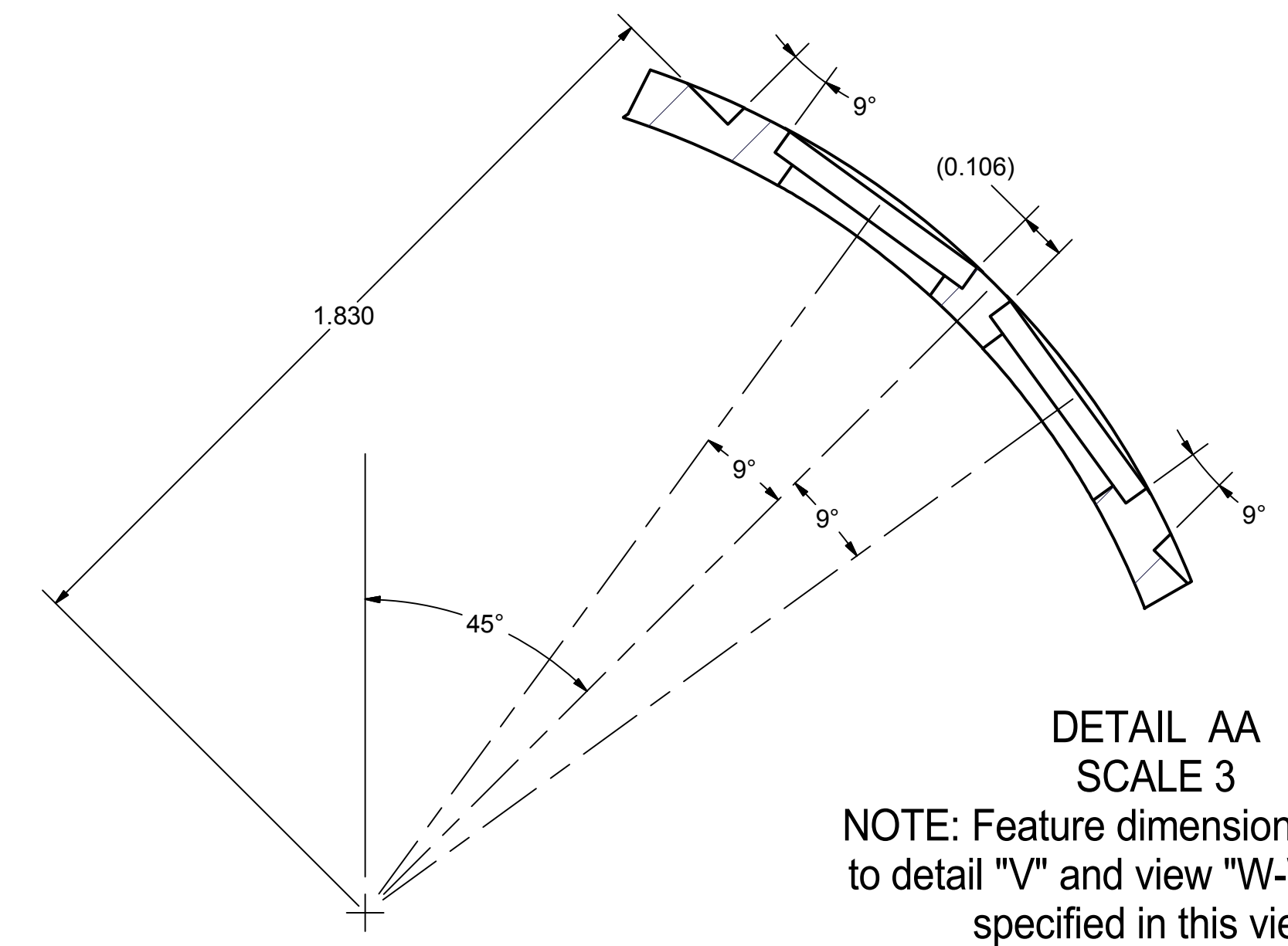
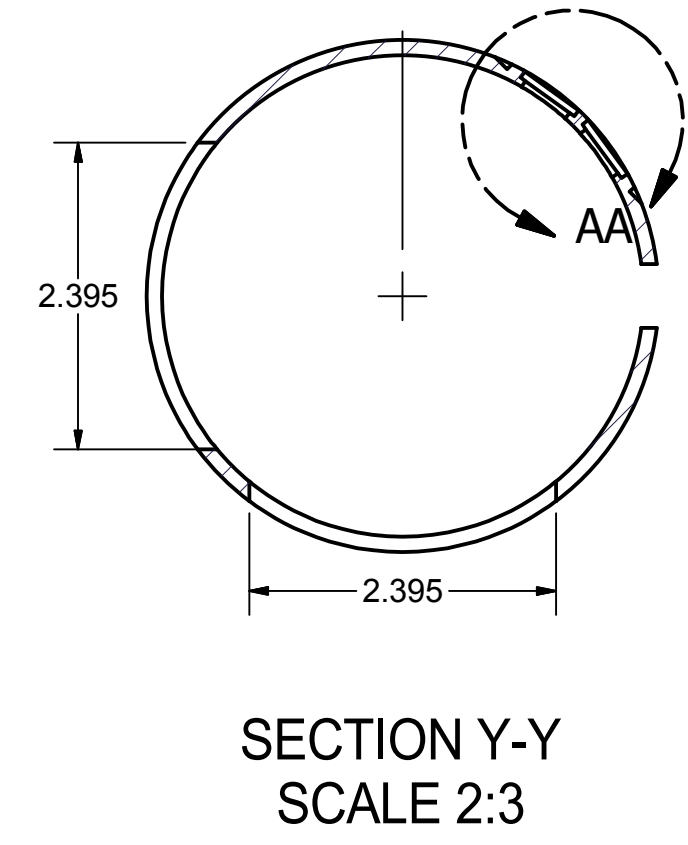
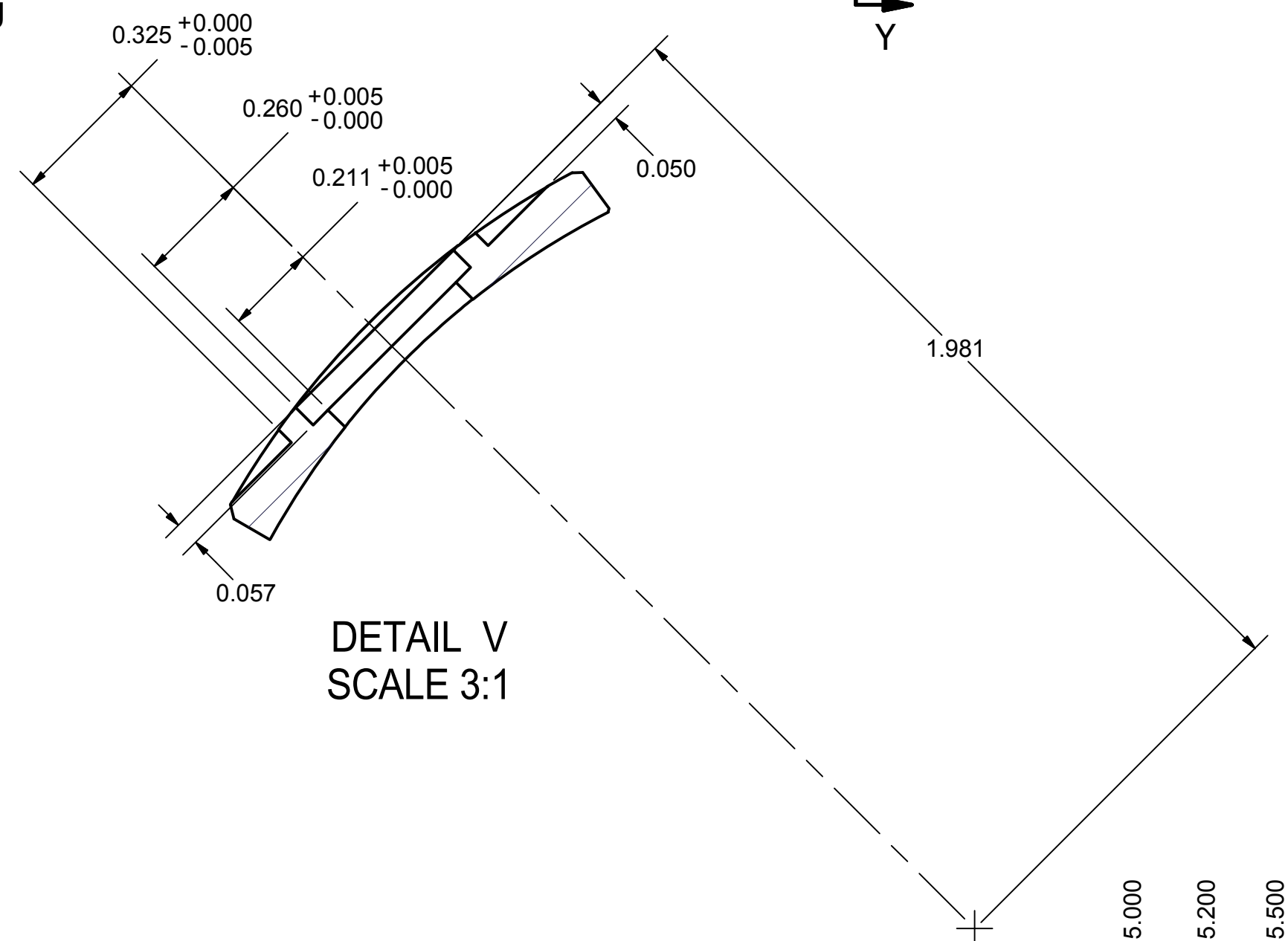
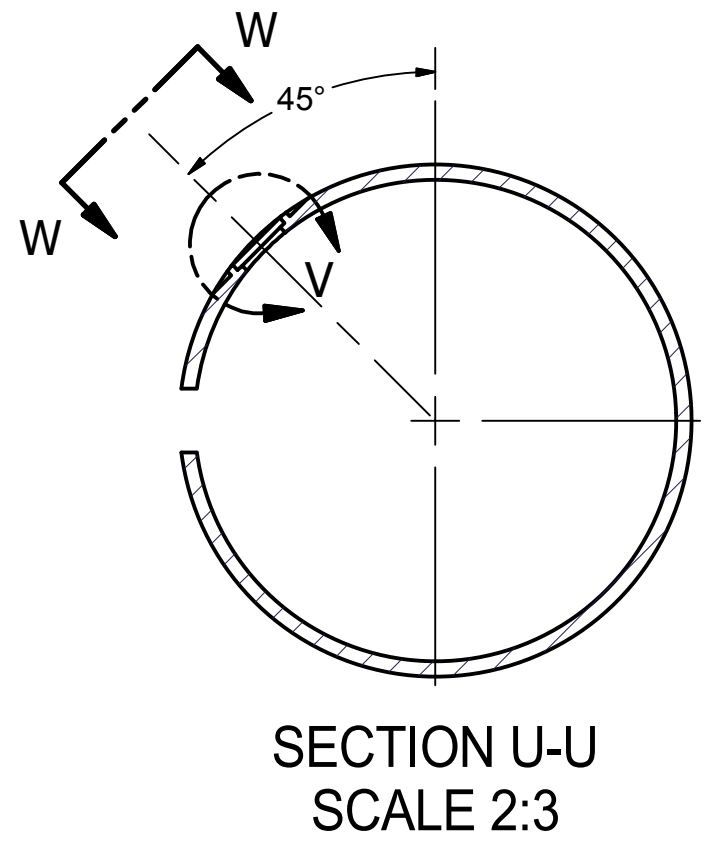
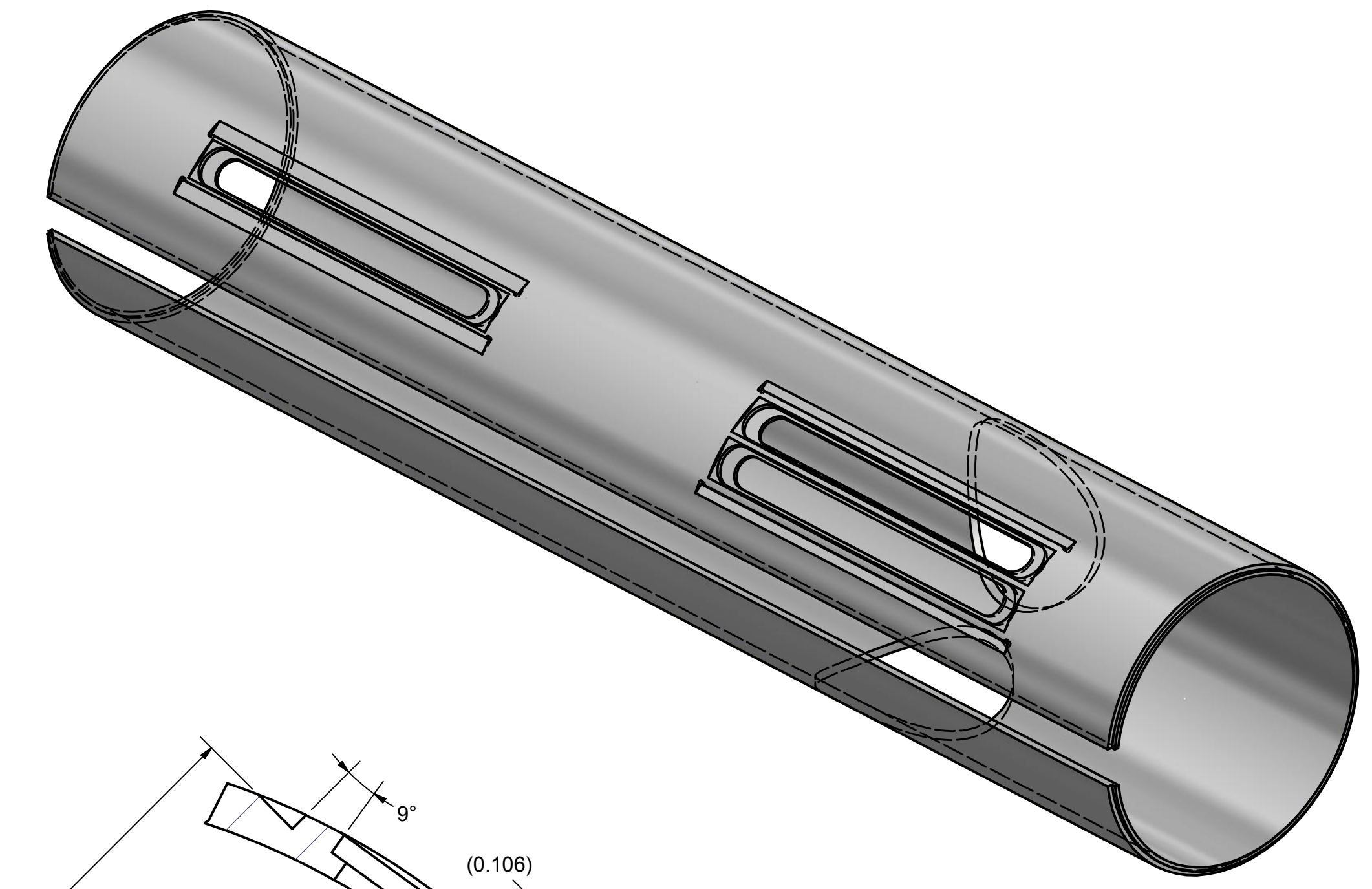
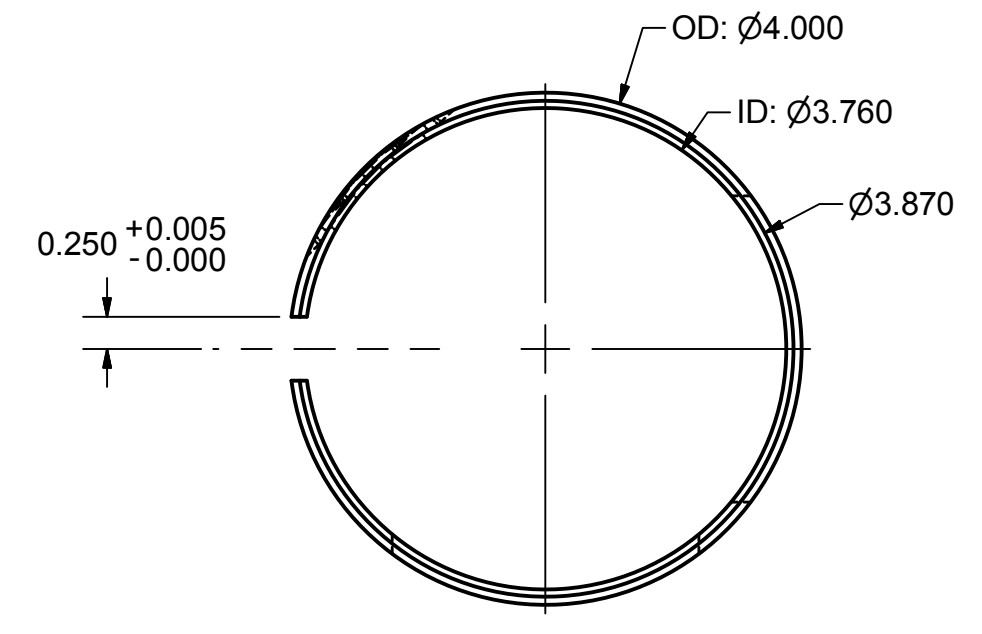
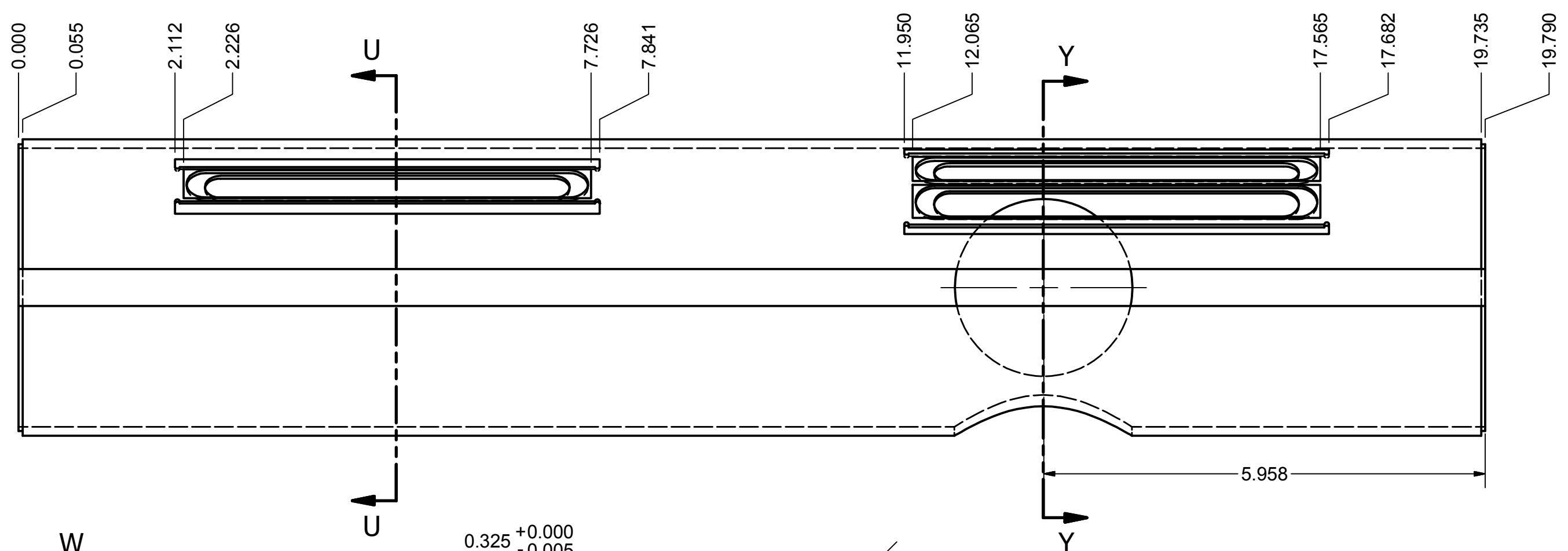
|   |        |   |  |   |                                   |                             |                    |
|---|--------|---|--|---|-----------------------------------|-----------------------------|--------------------|
| D | PRINT  | PLOT DATE:<br>CAD FILE NAME: 6085-222.idw | UNLESS OTHERWISE SPECIFIED:<br>DIMENSIONS ARE IN INCHES:<br>TOLERANCES ON:<br>.0 ± .02<br>.00 ± .010<br>.000 ± .005<br>FRACTIONS ± 1/32<br>ANGLES ± 0.5°<br>ALL SURFACES | Cornell University<br>Laboratory for Elementary-Particle Physics<br>Floyd R. Newman Laboratory<br>Robert R. Wilson Laboratory<br>Ithaca, NY 14853 | <b>MK 6 SS-CU Flange Assembly</b> |                             |                    |
|   | DISTR. |   |  |   |                                   | CHECKED BY:<br>APPROVED BY: | DRAWN BY:<br>sb626 |



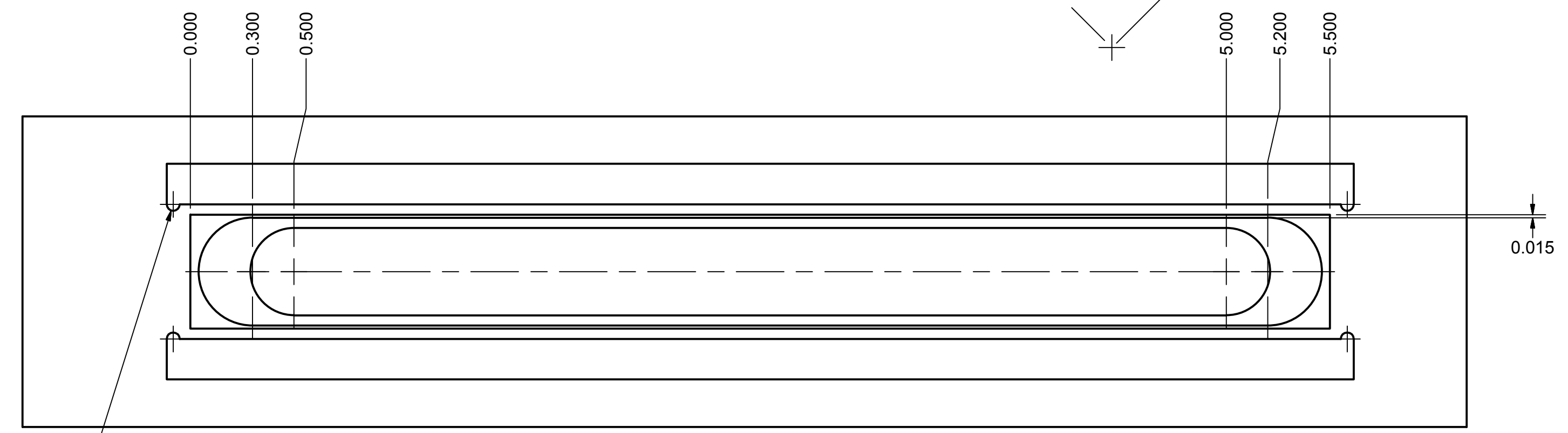
| REVISIONS |      |             |           |
|-----------|------|-------------|-----------|
| SYM.      | ZONE | DESCRIPTION | DATE APP. |
|           |      |             |           |

12 Beam Pipe

FILE NAME: 6085-222  
 SHEET NO.: 7  
 DFT. SCALE:  
 MATERIAL: 304L SS  
 QTY: 1  
 NOTES:



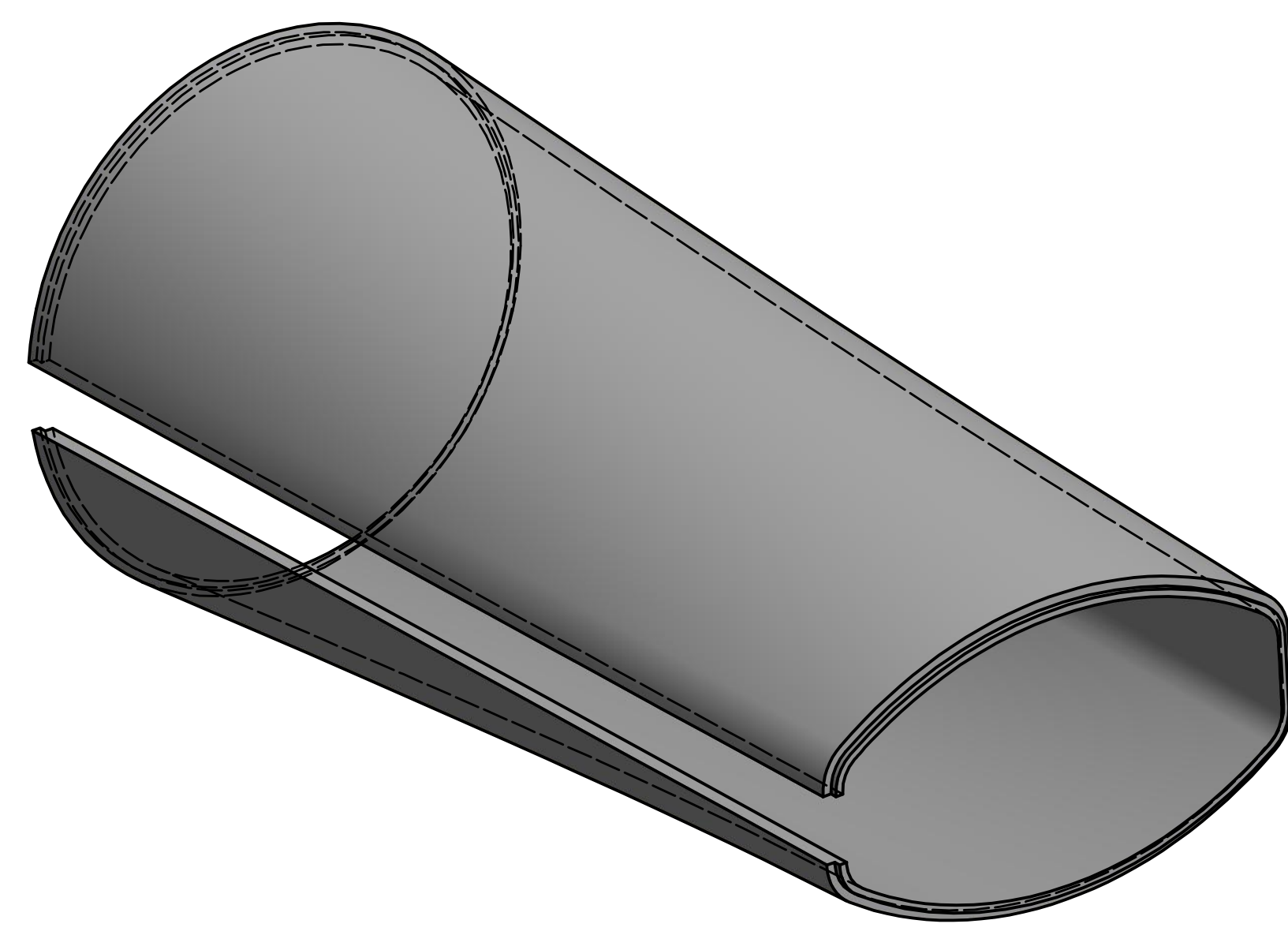
NOTE: Feature dimensions identical to detail "V" and view "W-W" unless specified in this view



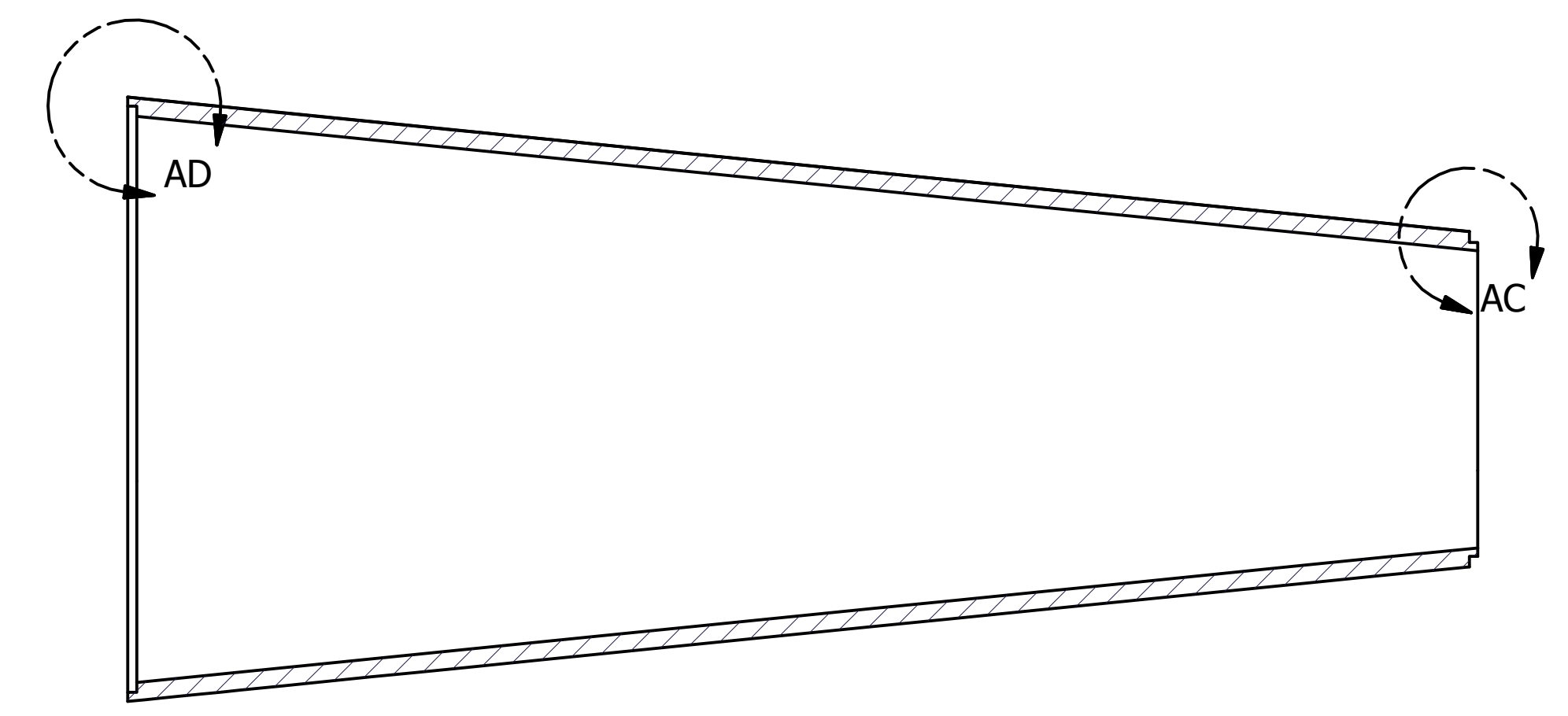
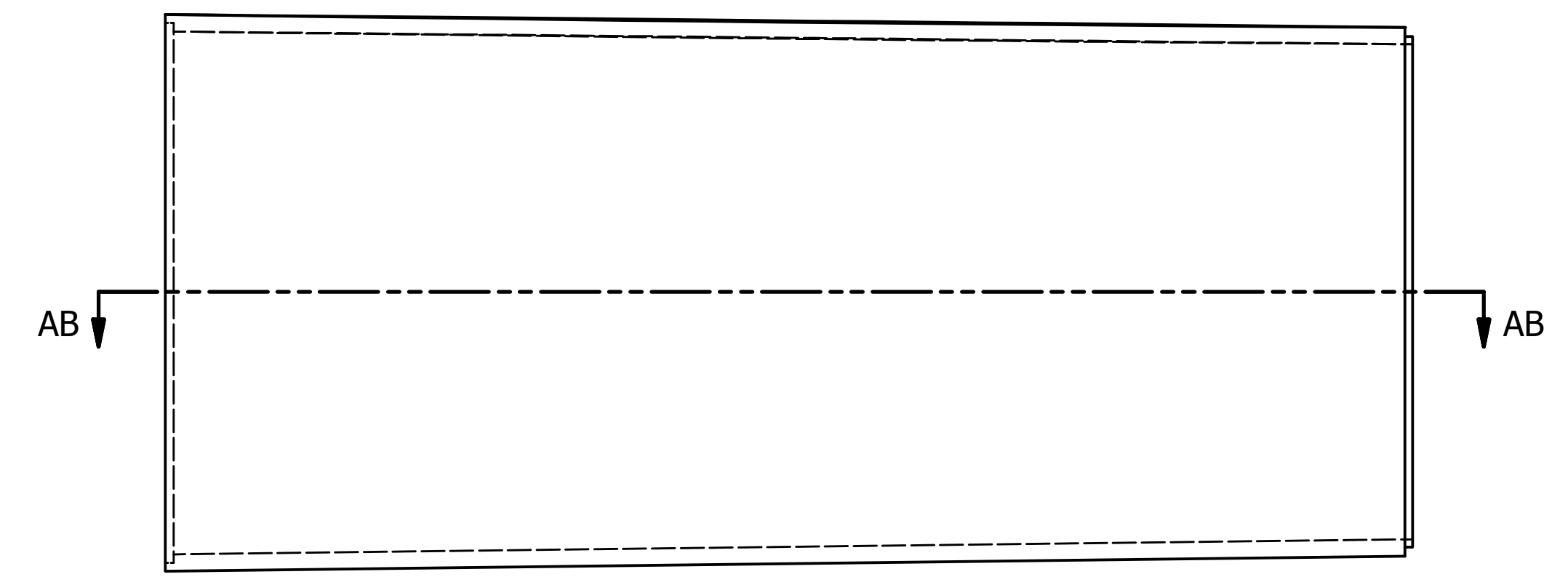
(x4) R0.031 Relief cut

| REV.                           | PRINT DISTR. | ITEM | DWG. NO. | DESCRIPTION   | G1   | G2             | G3                | REMARKS   | REV.                           |
|--------------------------------|--------------|------|----------|---|--|----------------|-------------------|---|--------------------------------|
|                                |              |      |          |   | QUANTITY   |                |                   |   |                                |
| D                              |              |      |          | PLOT DATE:<br>CAD FILE NAME: 6085-222.idw   |  |                |                   |   |                                |
| 6085-222<br>SH. NO. 7<br>OF 11 | CR-1         |      |          | UNLESS OTHERWISE SPECIFIED:<br>DIMENSIONS ARE IN INCHES;<br>TOLERANCES ON:<br>Ø ± .02<br>.00 ± .010<br>.000 ± .005<br>FRACTIONS ± 1/32<br>ANGLES ± 0.5°<br>ALL SURFACES ✓ | Cornell University<br>Laboratory for Elementary-Particle Physics |                |                   | Floyd R. Newman Laboratory<br>Robert R. Wilson Laboratory<br>Ithaca, NY 14853 |                                |
|                                |              |      |          | CHECKED BY:<br>APPROVED BY:   | DRAWN BY<br>sb626  | DRAWN FOR<br>2 | DATE<br>1/15/2016 | SCALE<br>D  | 6085-222<br>SH. NO. 7<br>OF 11 |

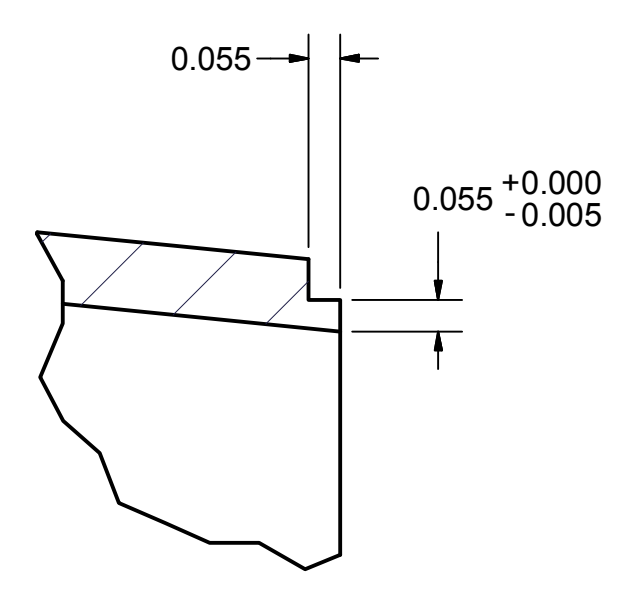
| REVISIONS |      |             |           |
|-----------|------|-------------|-----------|
| SYM.      | ZONE | DESCRIPTION | DATE APP. |
|           |      |             |           |



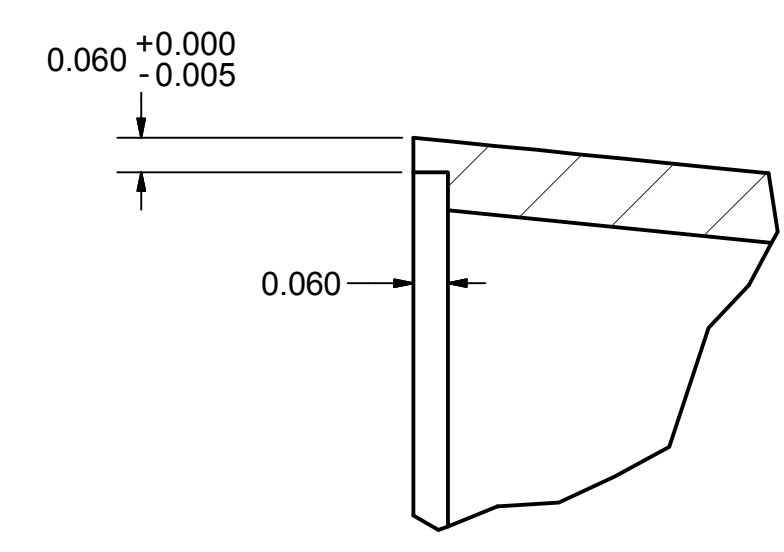
11 Tapered Transition  
 FILE NAME: 6085-222  
 SHEET NO.: 8  
 DFT. SCALE: 1:1  
 MATERIAL: 304L SS  
 QTY: 2  
 NOTES: Shape shall be made by wire-cut EDM.  
 Details "AC" and "AD" shall be machined following the EDM process



SECTION AB-AB  
SCALE 1:1



DETAIL AC  
SCALE 3

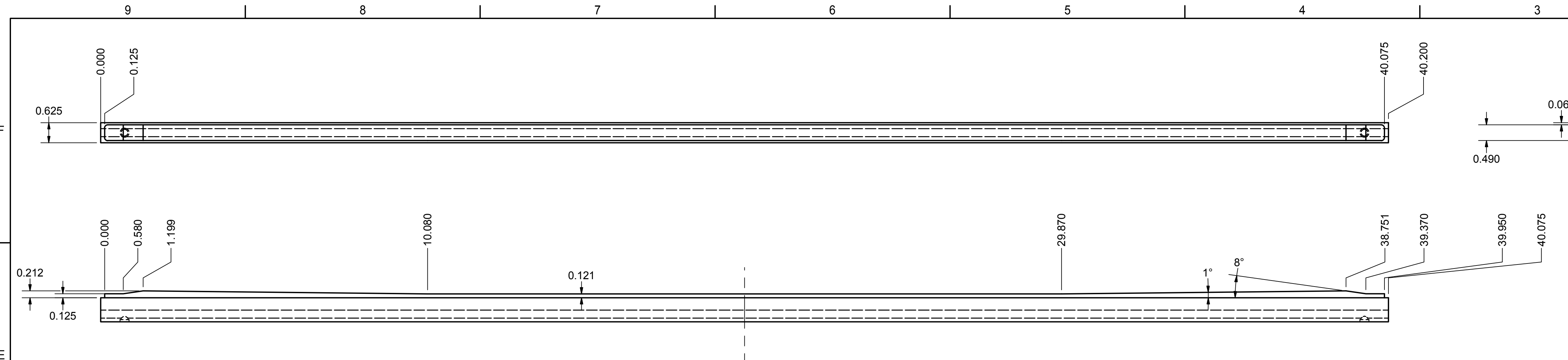


DETAIL AD  
SCALE 3

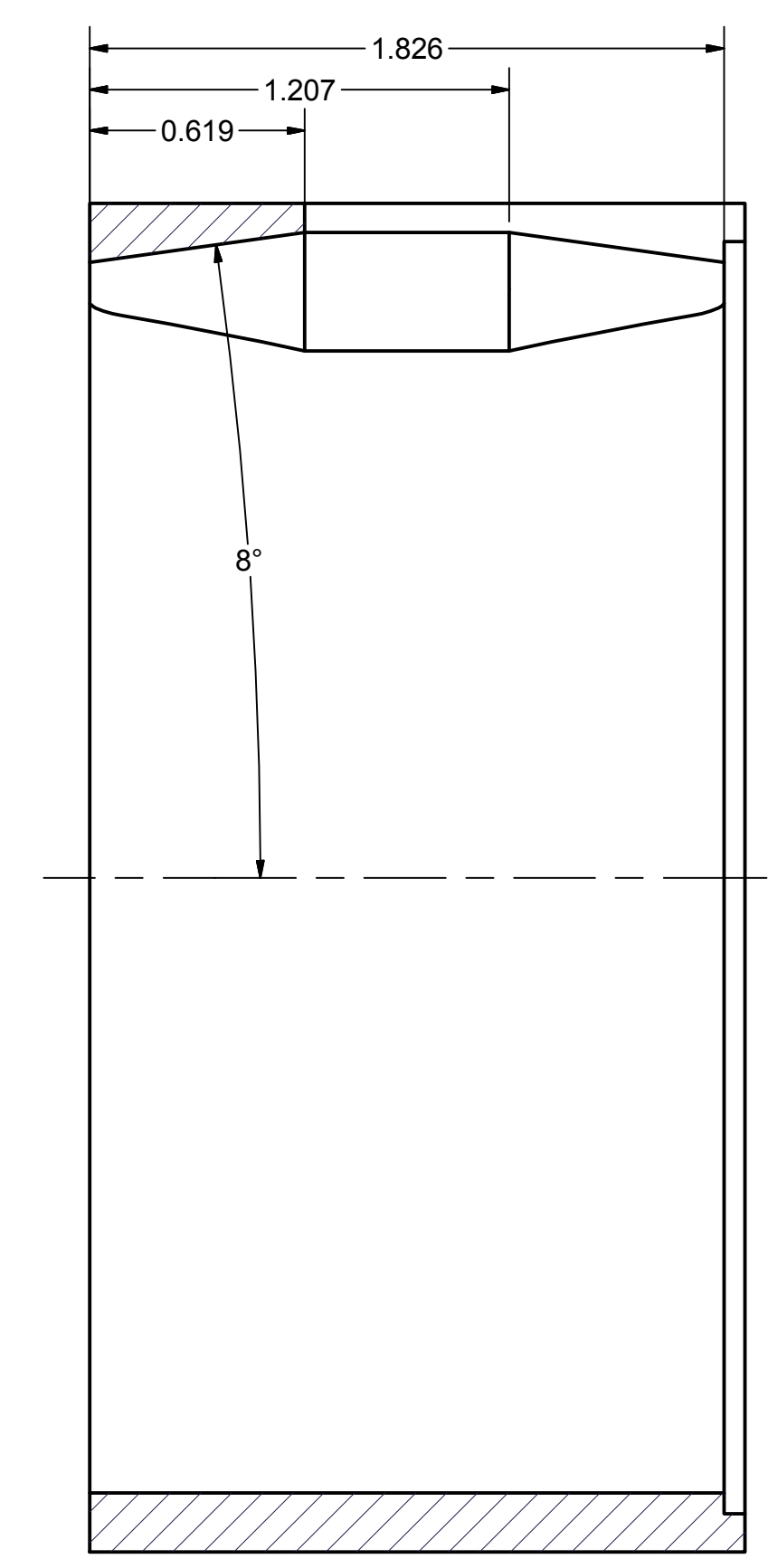
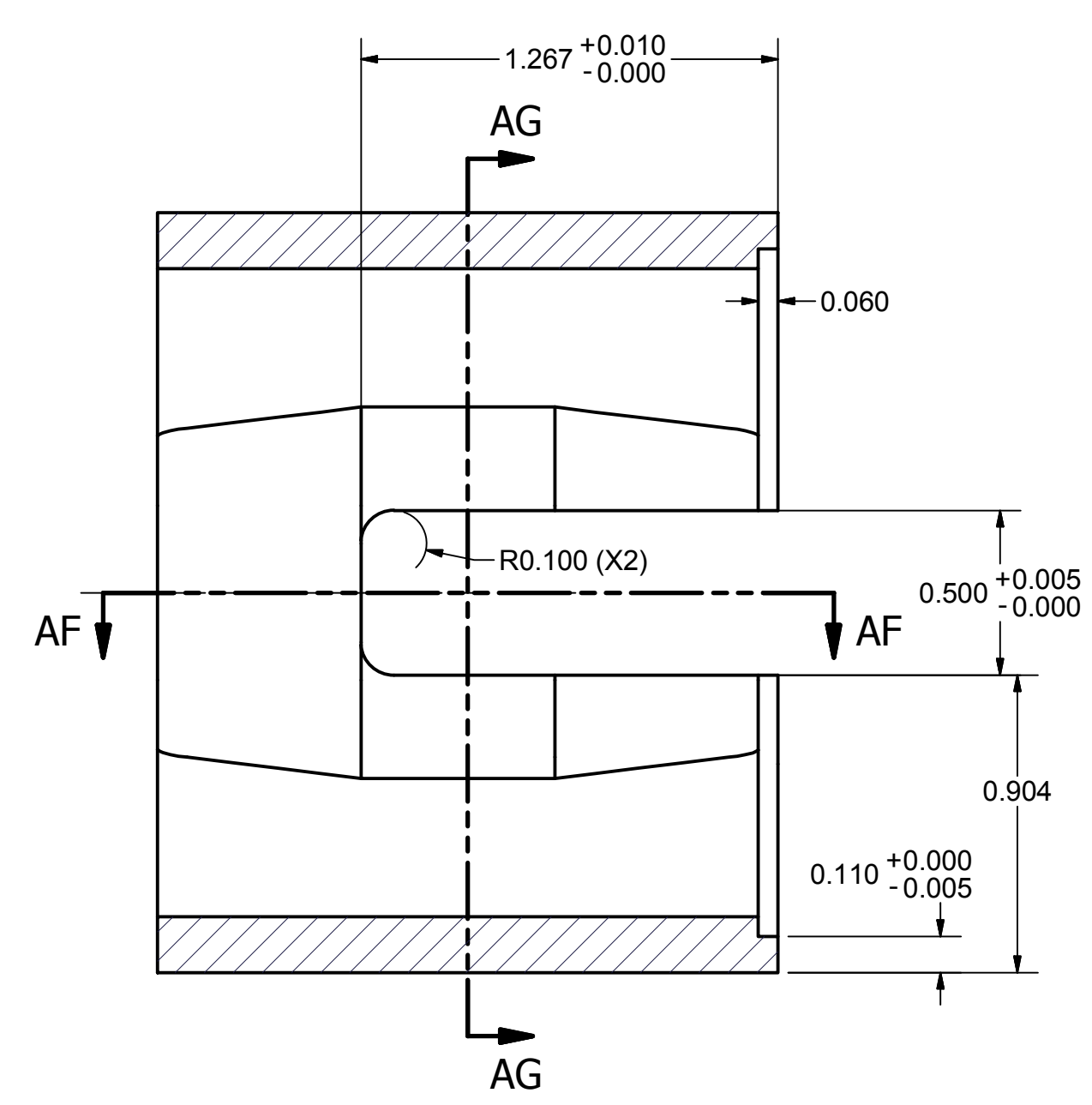
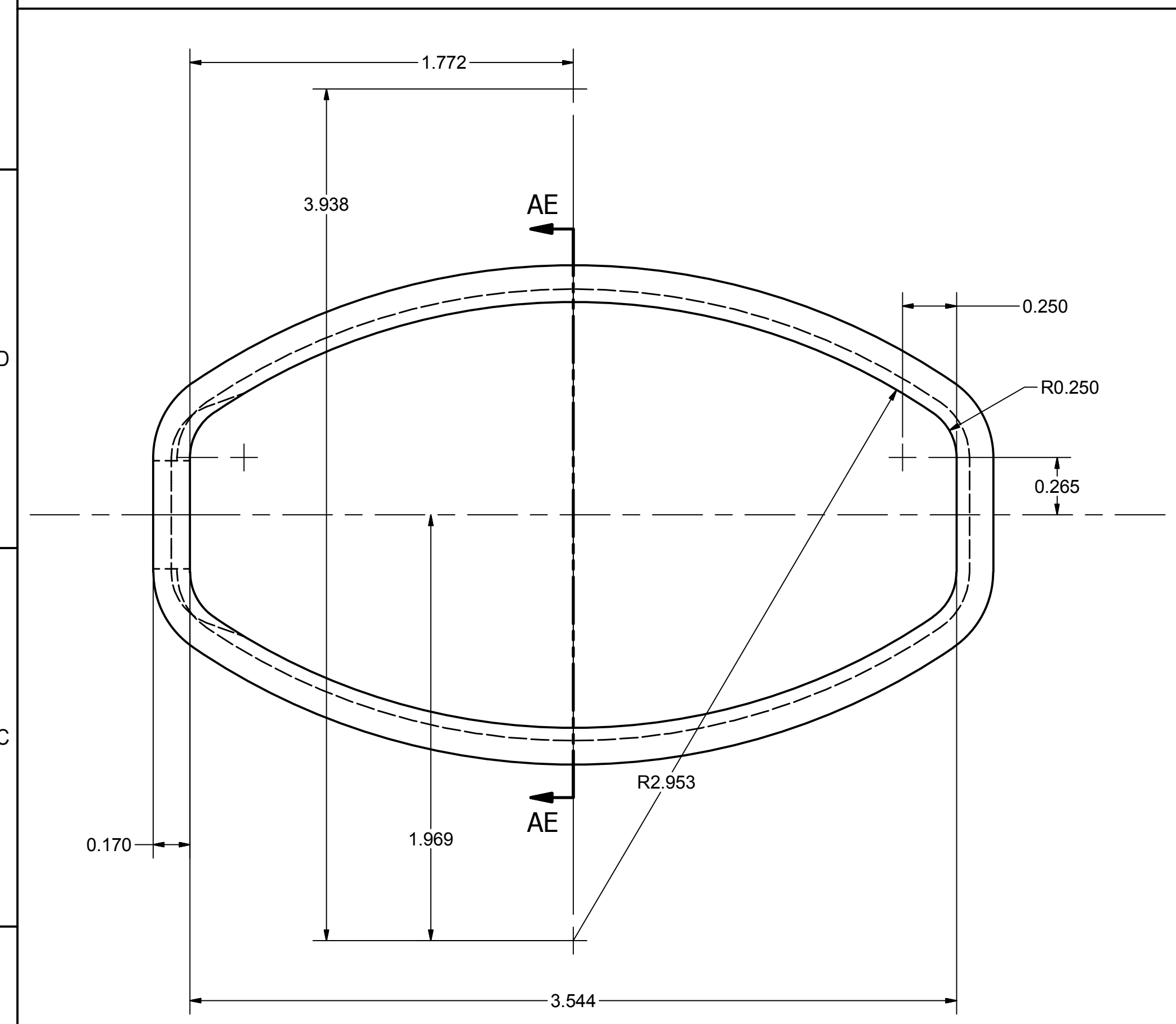
| REV. | ITEM            | DWG. NO. | DESCRIPTION  | G1   | G2        | G3    | REMARKS   | REV.           |      |
|------|-----------------|----------|--|--|-----------|-------|---|----------------|------|
|      |                 |          |  | QUANTITY   |           |       |   |                |      |
| D    | PRINT<br>DISTR. | 6085-222 | PLOT DATE:<br>CAD FILE NAME: 6085-222.idw  |  |           |       |   |                |      |
|      | CR-1            |          | UNLESS OTHERWISE SPECIFIED:<br>DIMENSIONS ARE IN INCHES:<br>TOLERANCES ON:<br>.0 ± .02<br>.00 ± .010<br>.000 ± .005<br>FRACTIONS ± 1/32<br>ANGLES ± 0.5°<br>ALL SURFACES ✓ | Cornell University<br>Laboratory for Elementary-Particle Physics |           |       | Floyd R. Newman Laboratory<br>Robert R. Wilson Laboratory<br>Ithaca, NY 14853 |                |      |
|      |                 |          |  |  |           |       | Tapered Transition  |                |      |
|      | CHECKED BY:     |          | DRAWN BY   | DRAWN FOR  | DATE      | SCALE | D   | 6085-222       | REV. |
|      | APPROVED BY:    |          | sb626  | 2  | 1/15/2016 |       |   | SH. NO 8 OF 11 |      |



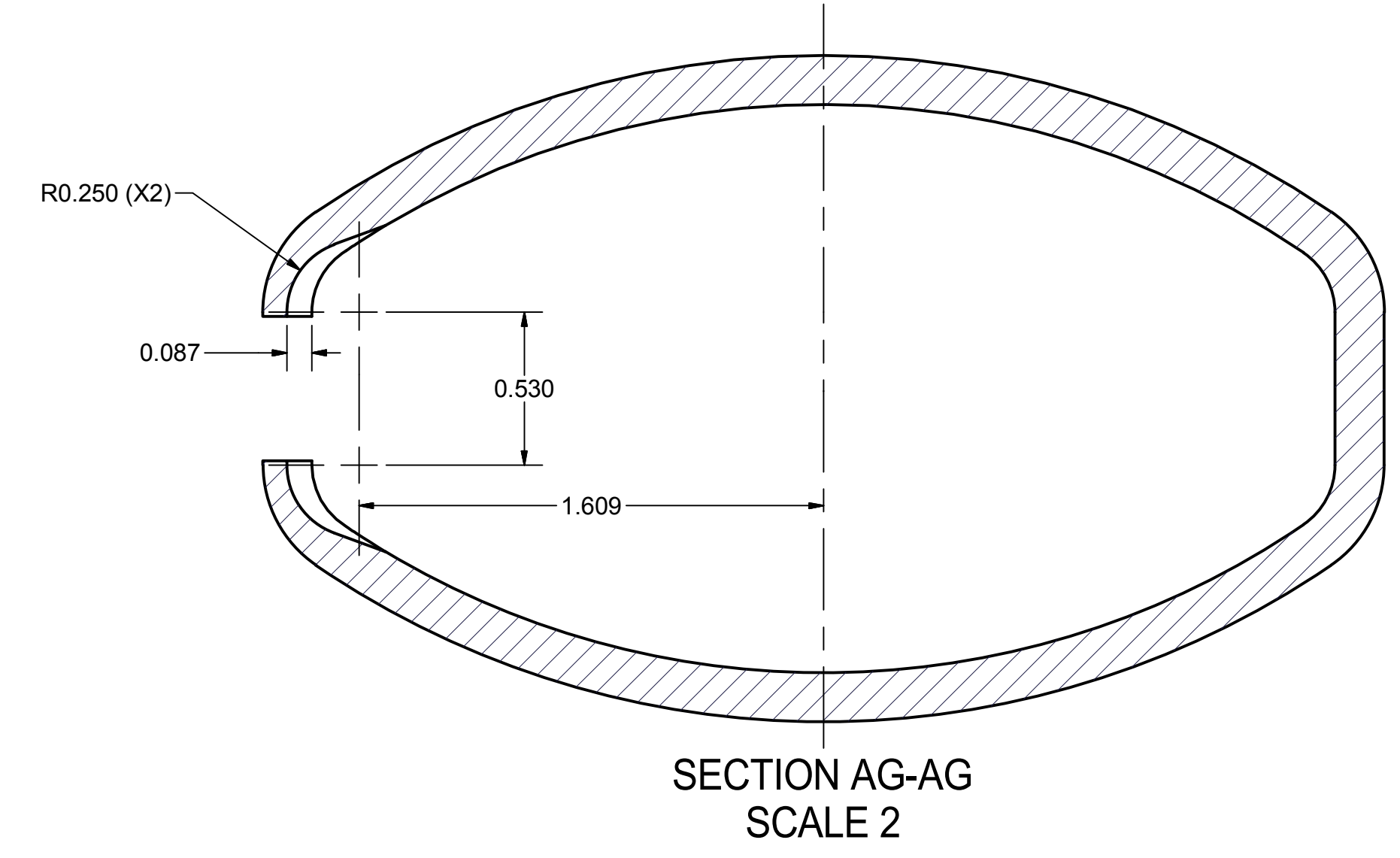
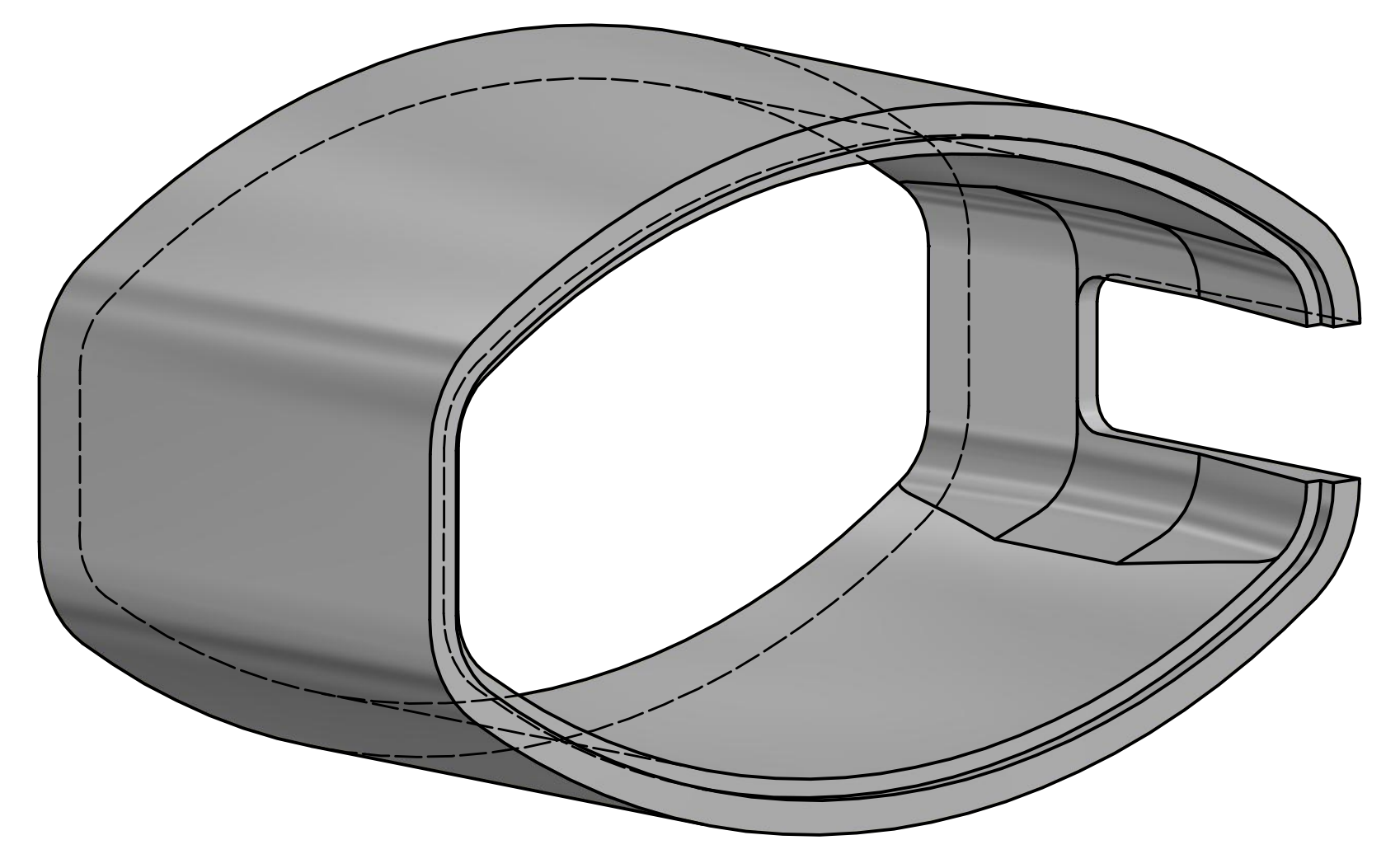
| REVISIONS |      |             |           |
|-----------|------|-------------|-----------|
| SYM.      | ZONE | DESCRIPTION | DATE APP. |
|           |      |             |           |



**12 Cooling Bar**  
 FILE NAME: 6085-222  
 SHEET NO.: 9  
 DFT. SCALE: 1:2  
 MATERIAL: OFHC Copper  
 QTY: 1  
 NOTES:

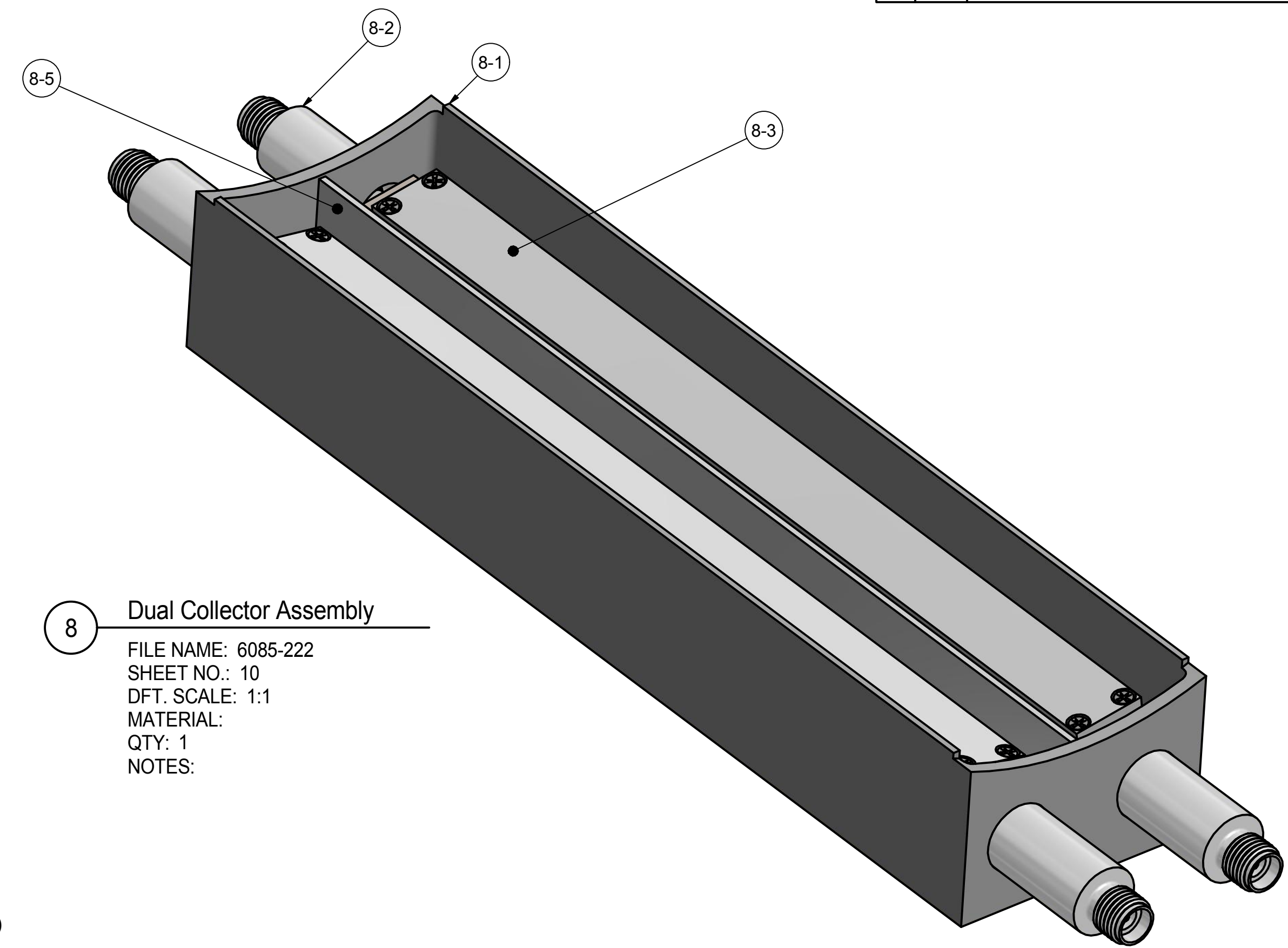


**8 Straight Masked Transition**  
 FILE NAME: 6085-222  
 SHEET NO.: 9  
 DFT. SCALE: 2:1  
 MATERIAL: 304L SS  
 QTY: 2  
 NOTES:

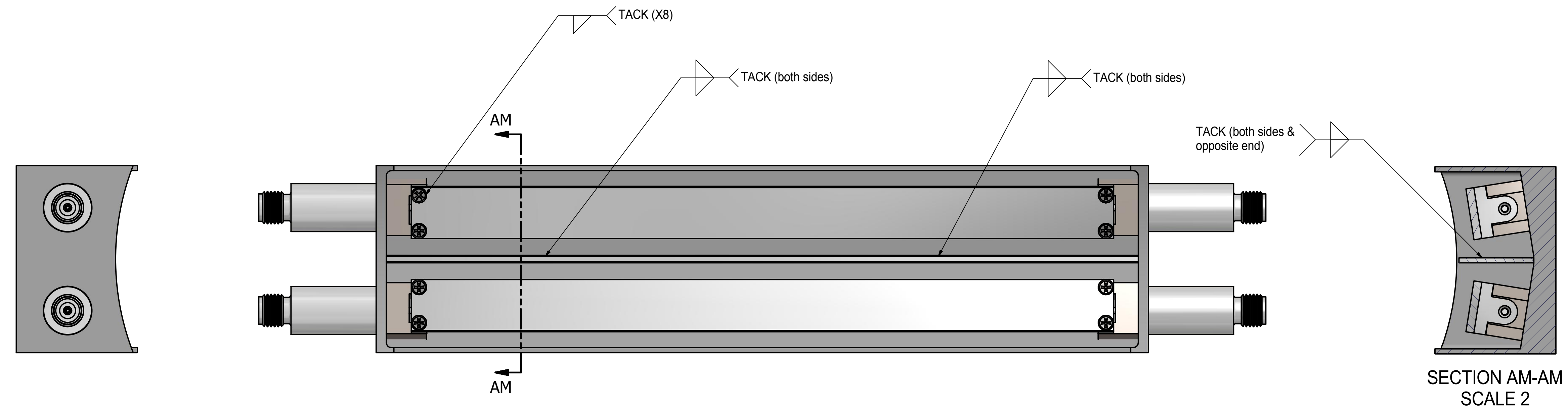


| REV. | PRINT<br>DISTR.                | ITEM | DWG. NO. | DESCRIPTION  | G1  | G2        | G3        | REMARKS     | REV.                           |
|------|--------------------------------|------|----------|--|---|-----------|-----------|-------------|--------------------------------|
|      |                                |      |          |  | QUANTITY  |           |           |             |                                |
| D    | 6085-222<br>SH. NO. 9<br>OF 11 | CR-1 | 6085-222 | PLOT DATE:<br>CAD FILE NAME: 6085-222.idw<br><br>UNLESS OTHERWISE SPECIFIED:<br>DIMENSIONS ARE IN INCHES:<br>TOLERANCES ON:<br>0 ± .02<br>.00 ± .010<br>.000 ± .005<br>FRACTIONS ± 1/32<br>ANGLES ± 0.5°<br>ALL SURFACES ✓ | Cornell University<br>Laboratory for Elementary-Particle Physics<br>Floyd R. Newman Laboratory<br>Robert R. Wilson Laboratory<br>Ithaca, NY 14853 |           |           | Misc. Parts | 6085-222<br>SH. NO. 9<br>OF 11 |
|      |                                |      |          | CHECKED BY:  | DRAWN BY  | DRAWN FOR | DATE      | SCALE       |                                |
|      |                                |      |          | APPROVED BY:   | sb626   |           | 1/15/2016 | D           |                                |

| REVISIONS |      |             |           |
|-----------|------|-------------|-----------|
| SYM.      | ZONE | DESCRIPTION | DATE APP. |
|           |      |             |           |



**8** Dual Collector Assembly  
 FILE NAME: 6085-222  
 SHEET NO.: 10  
 DFT. SCALE: 1:1  
 MATERIAL:  
 QTY: 1  
 NOTES:



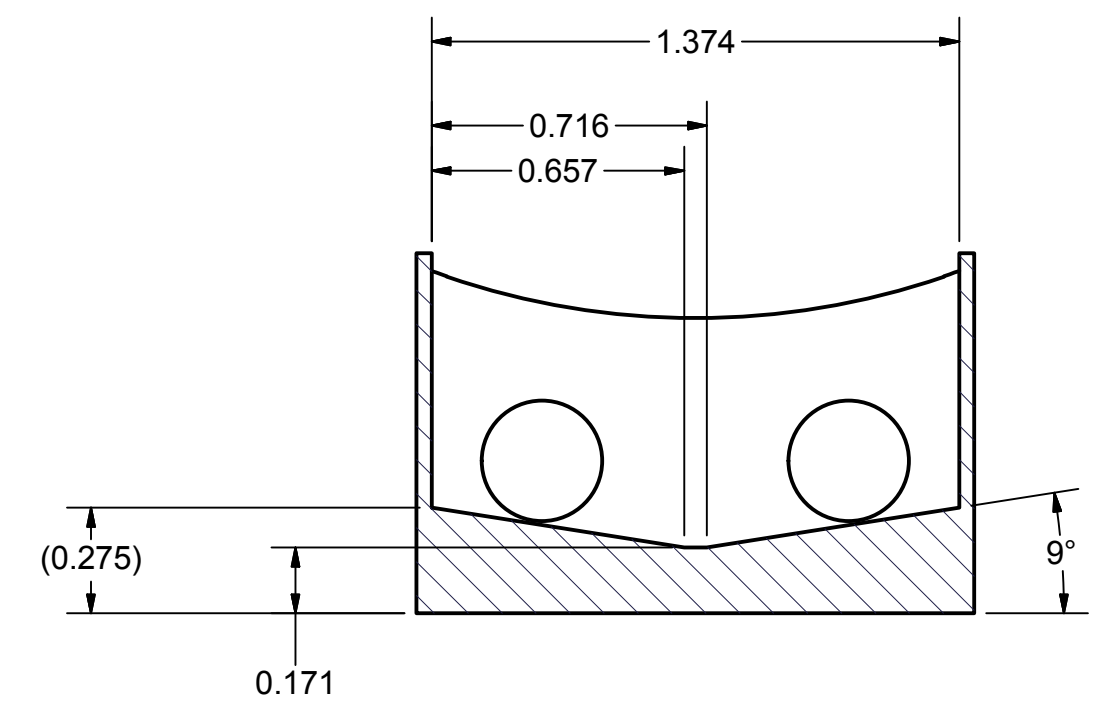
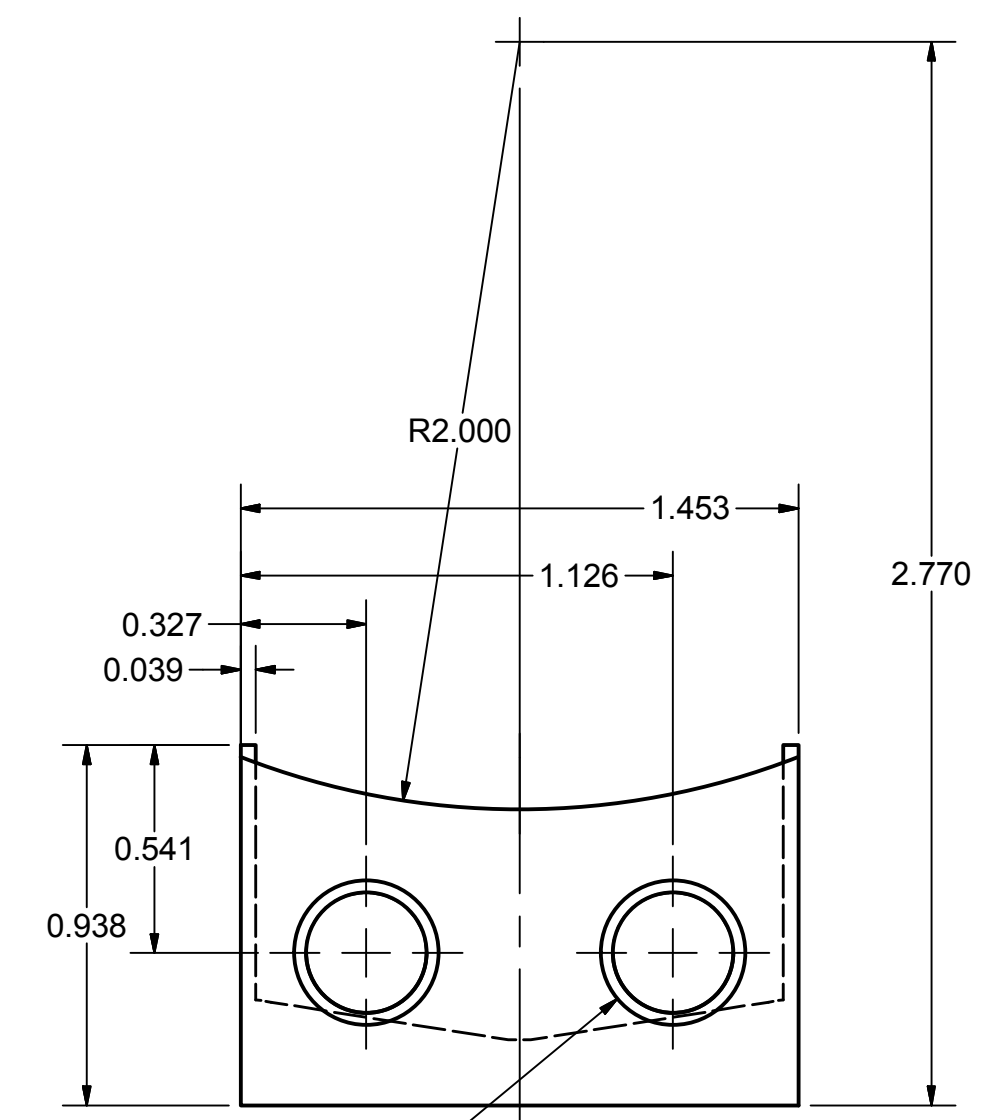
SECTION AM-AM  
SCALE 2

|     |          |  |   |  |  |  |
|-----|----------|--|---|--|--|--|
| 8-7 | SHEET 4  | Ceramic Jig  | 4 |  |  |  |
| 8-6 | PURCHASE | Type II Cross Recessed Undercut Flat Countersunk Head Machine Screw (0-80x1/8) | 8 |  |  |  |
| 8-5 | SHEET 11 | Separator  | 1 |  |  |  |
| 8-4 | SHEET 4  | Detector End Block   | 4 |  |  |  |
| 8-3 | SHEET 3  | Detector plate   | 2 |  |  |  |
| 8-2 | PURCHASE | SMA Feedthru SST Non-Magnetic  | 4 |  |  | SST #FA25858                                       |
| 8-1 | SHEET 11 | Dual Collector Housing   | 1 |  |  |  |
| 8   | SHEET 10 | Dual Collector Assembly  | 1 |  |  | Exploded view and assembly is identical to sheet 2 |

| ITEM                                      | DWG. NO.        | DESCRIPTION  | QUANTITY                    |                                  |   | REMARKS          | REV. |
|---|-----------------|--|-----------------------------|----------------------------------|---|------------------|------|
|   |                 |  | G1                          | G2                               | G3  |                  |      |
| PLOT DATE:<br>CAD FILE NAME: 6085-222.idw |                 |  |                             |                                  |   |                  |      |
| D   | PRINT<br>DISTR. | CR-1   | UNLESS OTHERWISE SPECIFIED: |                                  | Cornell University<br>Laboratory for Elementary-Particle Physics<br>Floyd R. Newman Laboratory<br>Robert R. Wilson Laboratory<br>Ithaca, NY 14853 |                  |      |
|   |                 |  | DIMENSIONS ARE IN INCHES:   |                                  |   |                  |      |
| 6085-222                                  |                 | DIMENSIONS ARE IN INCHES:<br>TOLERANCES ON:<br>0 ± .02<br>.00 ± .010<br>.000 ± .005<br>FRACTIONS ± 1/32<br>ANGLES ± 0.5°<br>ALL SURFACES |                             | <h3>Dual Collector Assembly</h3> |   |                  |      |
| REV.                                      | CHECKED BY:     | DRAWN BY   | DRAWN FOR                   |                                  |   |                  | DATE |
|   | APPROVED BY:    | sb626  |                             | 1/15/2016                        | D   | SH. NO. 10 OF 11 |      |

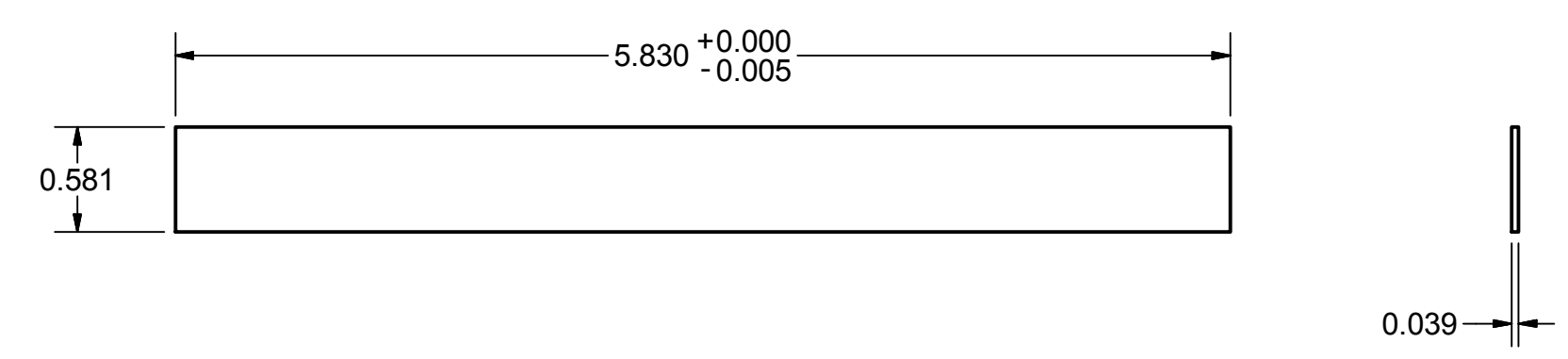
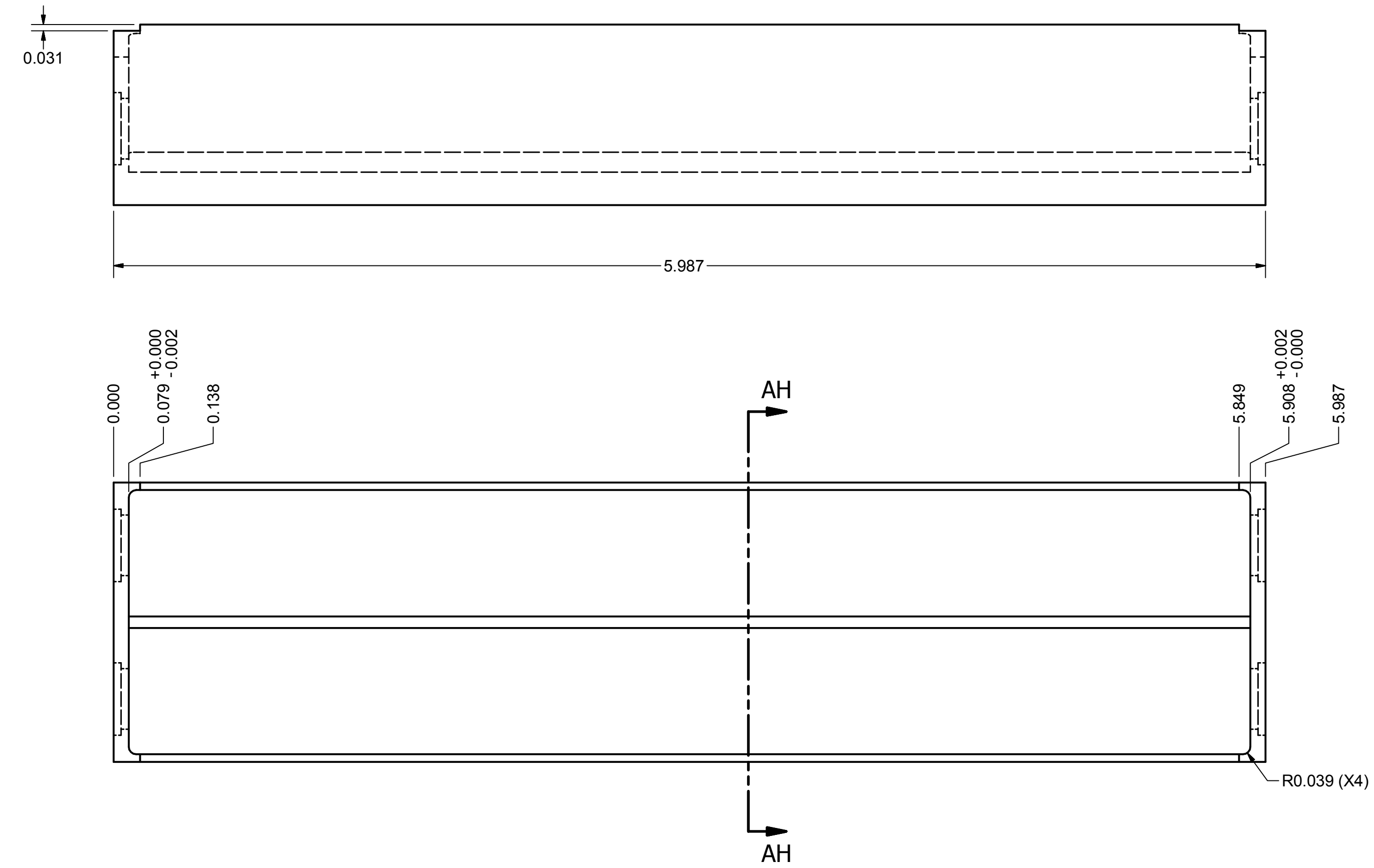


| REVISIONS |      |             |           |
|-----------|------|-------------|-----------|
| SYM.      | ZONE | DESCRIPTION | DATE APP. |
|           |      |             |           |



SECTION AH-AH  
SCALE 2  
ROTATED 90 DEGREES CCW

8-5 Separator  
FILE NAME: 6085-222  
SHEET NO.: 11  
DFT. SCALE: 1:1  
MATERIAL: 304L SS  
QTY: 1  
NOTES:



8-1 Dual Collector Housing  
FILE NAME: 6085-222  
SHEET NO.: 11  
DFT. SCALE: 2  
MATERIAL: 304L SS  
QTY: 1  
NOTES:

| REV.     | PRINT<br>DISTR. | ITEM | DWG. NO. | DESCRIPTION   | G1  | G2             | G3                | REMARKS                                       | REV.                         |
|----------|-----------------|------|----------|---|---|----------------|-------------------|---|------------------------------|
|          |                 |      |          |   | QUANTITY  |                |                   |   |                              |
| D        |                 |      |          | PLOT DATE:<br>CAD FILE NAME: 6085-222.idw   |   |                |                   |   |                              |
| 6085-222 | CR-1            |      |          | UNLESS OTHERWISE SPECIFIED:<br>DIMENSIONS ARE IN INCHES;<br>TOLERANCES ON:<br>Ø ± .02<br>.00 ± .010<br>.000 ± .005<br>FRACTIONS ± 1/32<br>ANGLES ± 0.5°<br>ALL SURFACES | Cornell University<br>Laboratory for Elementary-Particle Physics<br>Floyd R. Newman Laboratory<br>Robert R. Wilson Laboratory<br>Ithaca, NY 14853 |                |                   | <b>Dual Collector Housing &amp; Separator</b> |                              |
|          |                 |      |          | CHECKED BY:<br>APPROVED BY:   | DRAWN BY<br>sb626   | DRAWN FOR<br>2 | DATE<br>1/15/2016 | SCALE<br>D                                    | 6085-222<br>SH. NO. 11 OF 11 |