

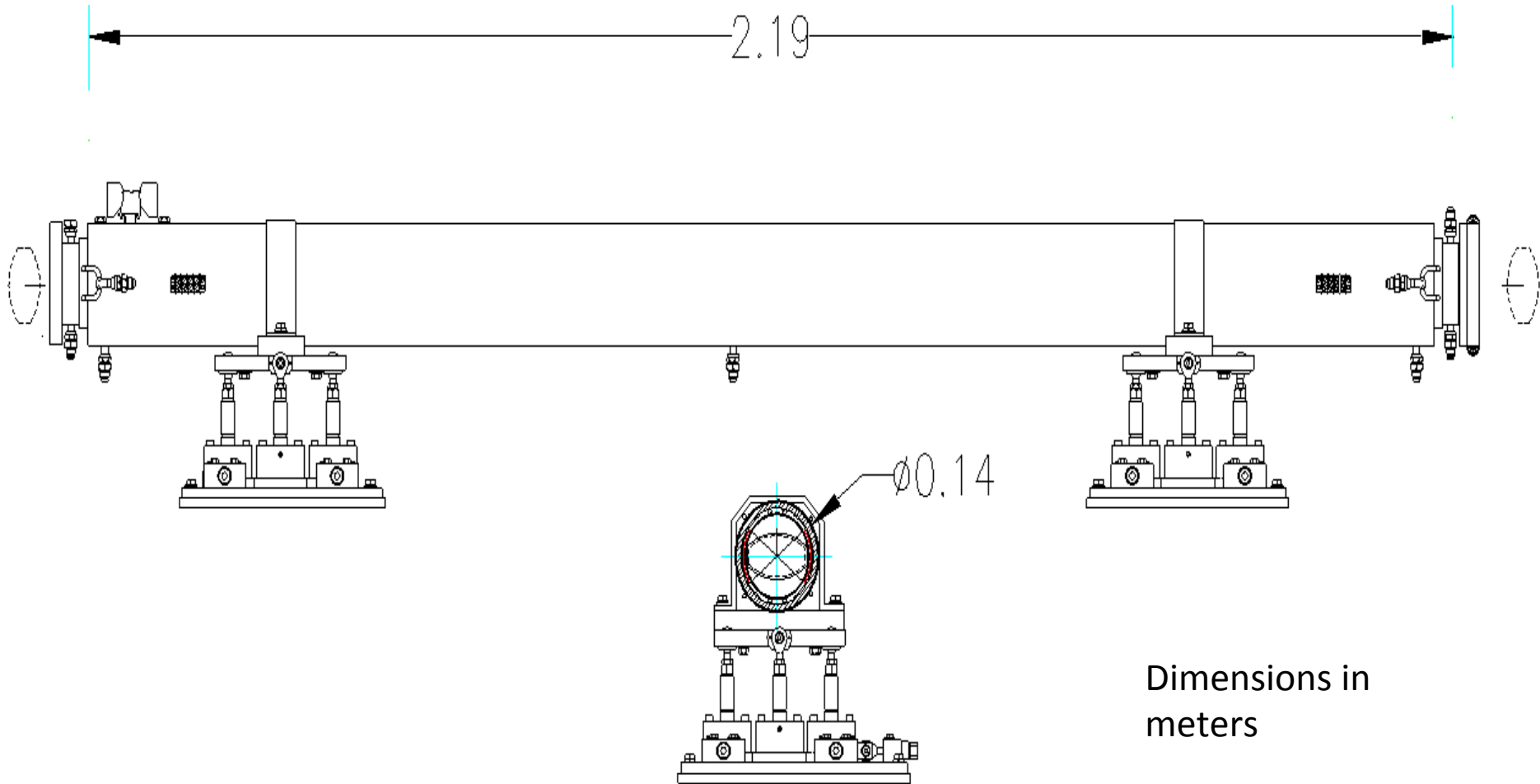
REVISIONS			
SYM	ZONE	DESCRIPTION	DATE
		Initial Release	

2 mm delay > 9cm displacement
 5 mm delay > 15 cm displacement

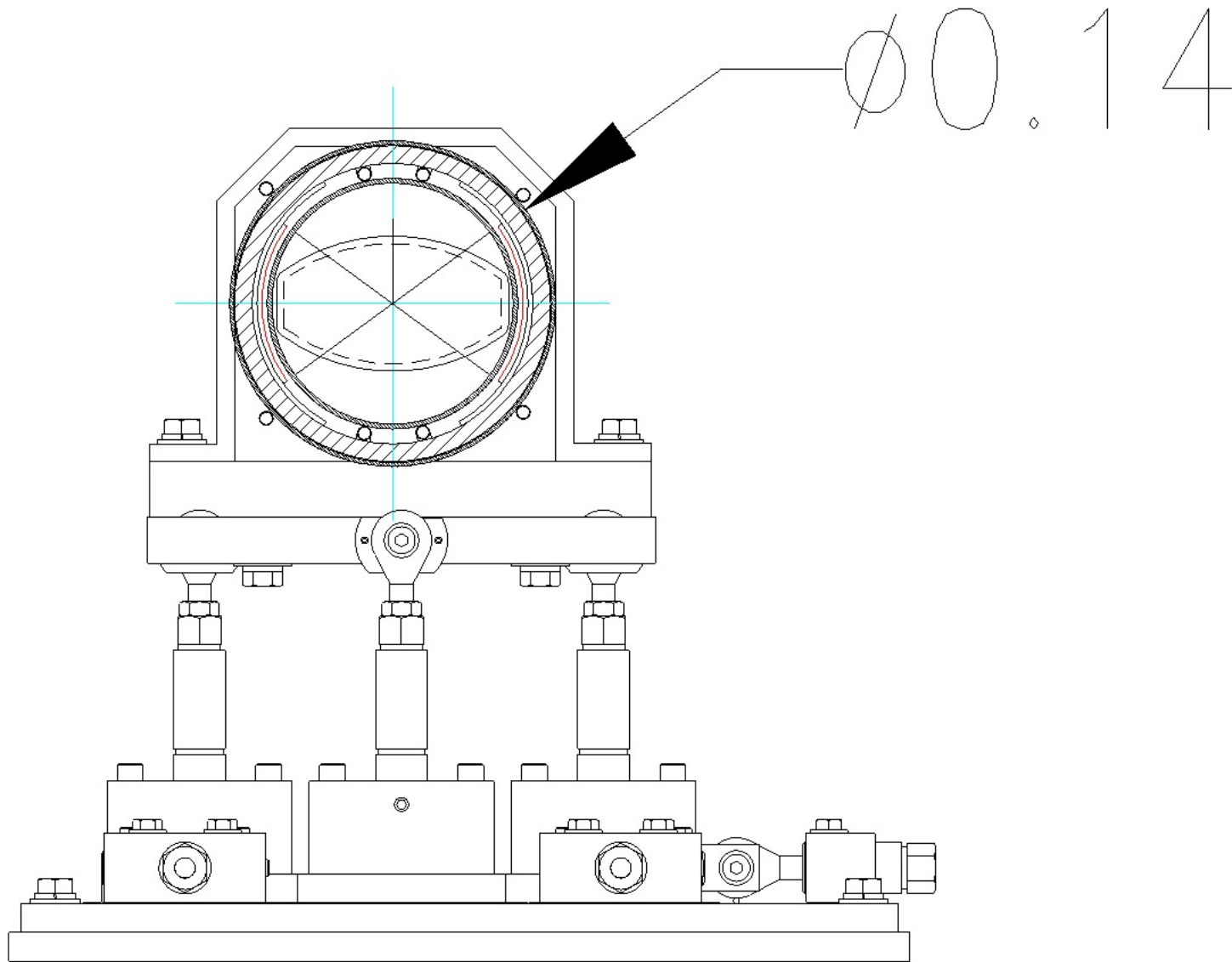
THESE DRAWINGS WHICH CONTAIN PROPRIETARY INFORMATION ARE THE PROPERTY OF CORNELL UNIVERSITY. USE OF THESE DRAWINGS BEYOND THE INTENDED PURPOSE IN SUPPORT OF OUR RESEARCH AS DESCRIBED AND FUNDED BY OUR SPONSORING AGENCIES MUST BE REQUESTED AND APPROVED IN ADVANCE BY CORNELL UNIVERSITY.

ITEM	QTY	DESCRIPTION	QTY			REMARKS	REV.
			Q1	Q2	Q3		
PRINT DATE:							
CAD FILE NAME:		CLASSE Dual Metric Primary.idw					
DR:1		Cornell Laboratory for Accelerator-based Science and Education (CLASSE)					
Drawing Title							
DRAWN BY	DATE	SCALE	D	REV.			
	8/27/2018						

HELICAL UNDULATOR



Dimensions in
meters



$I = \pm 0.75$ kA

cm

$I = \pm 3$ kA

Minimal Flux

Maximal Flux

Number

Boundary



Iron

Print

Clip

