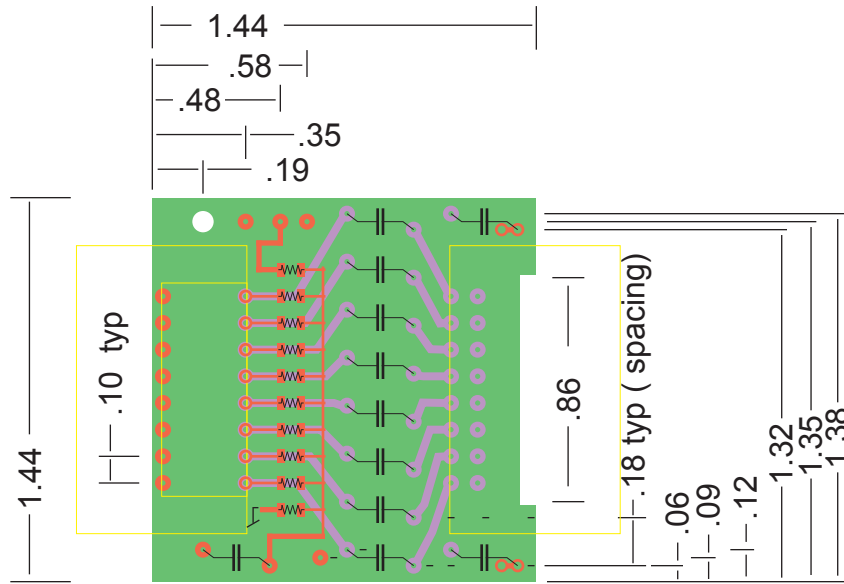
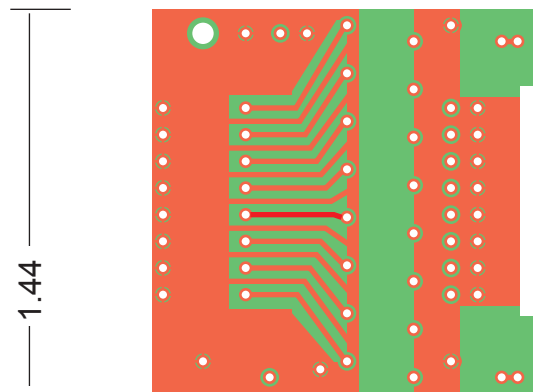
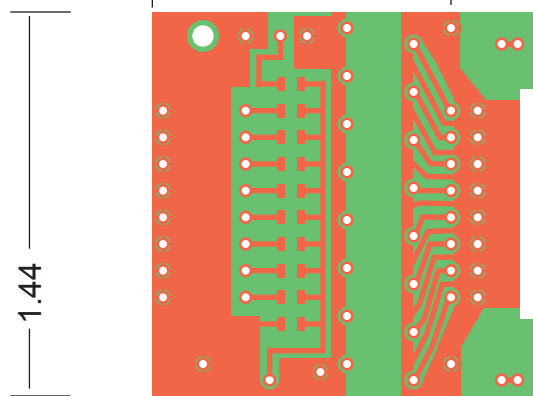
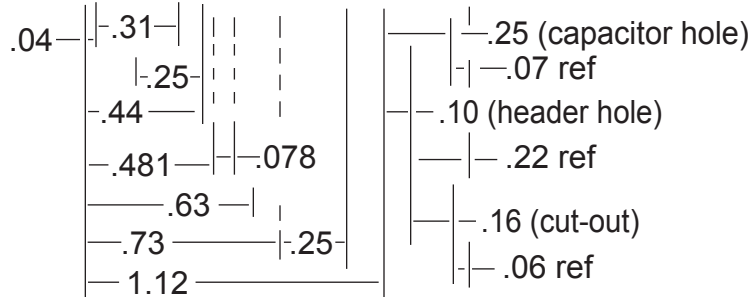
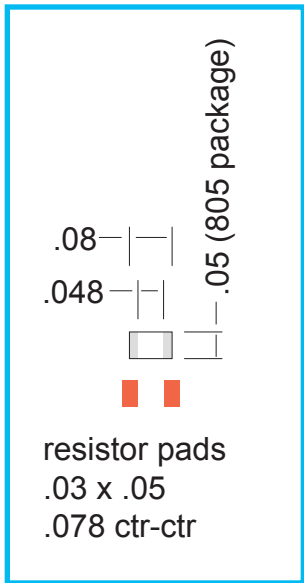


TPC1: ReadoutHVdistribution 6080-004

modified 2-Nov-04: cutout



traces only,
hv circuit
in red,
signal
in purple



notes: all holes are 0.035 plated through