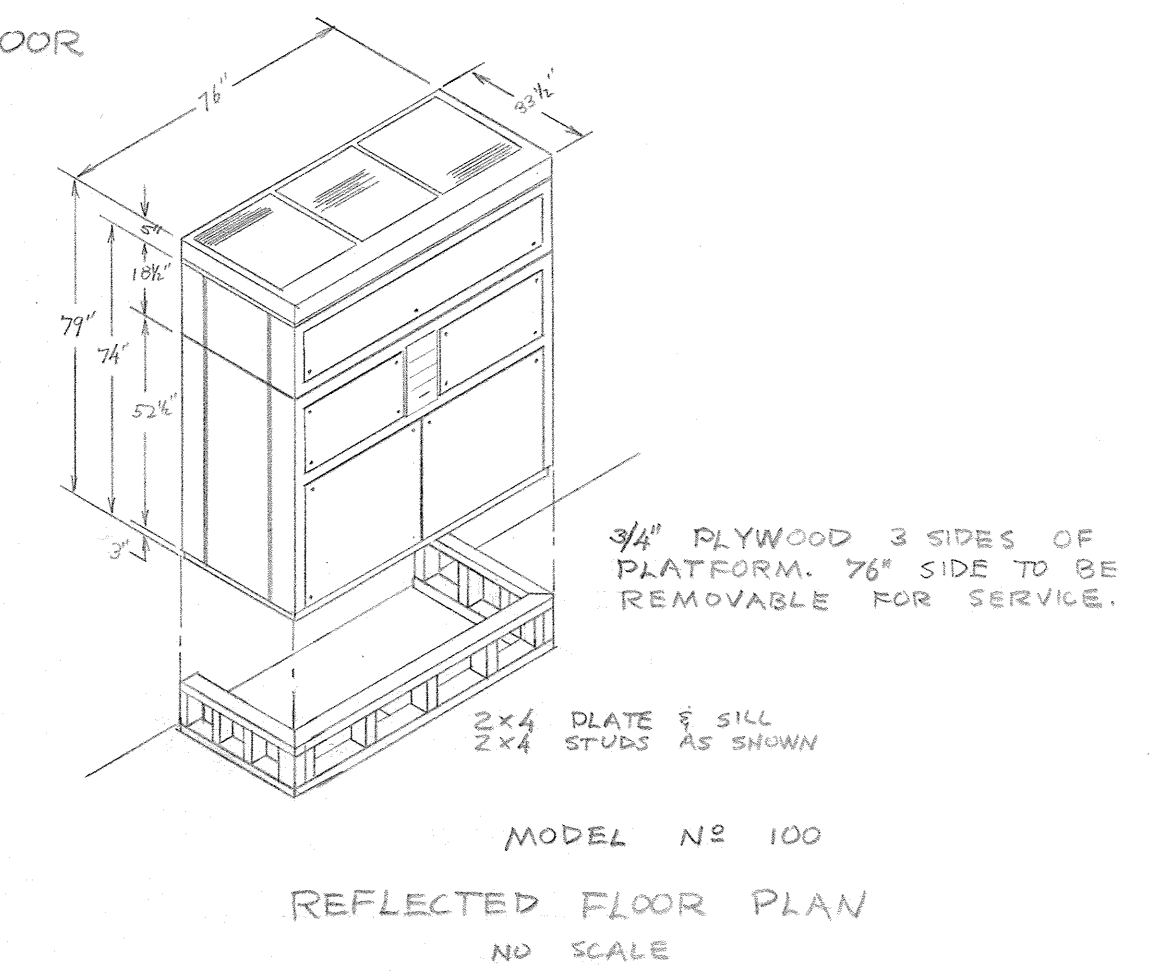
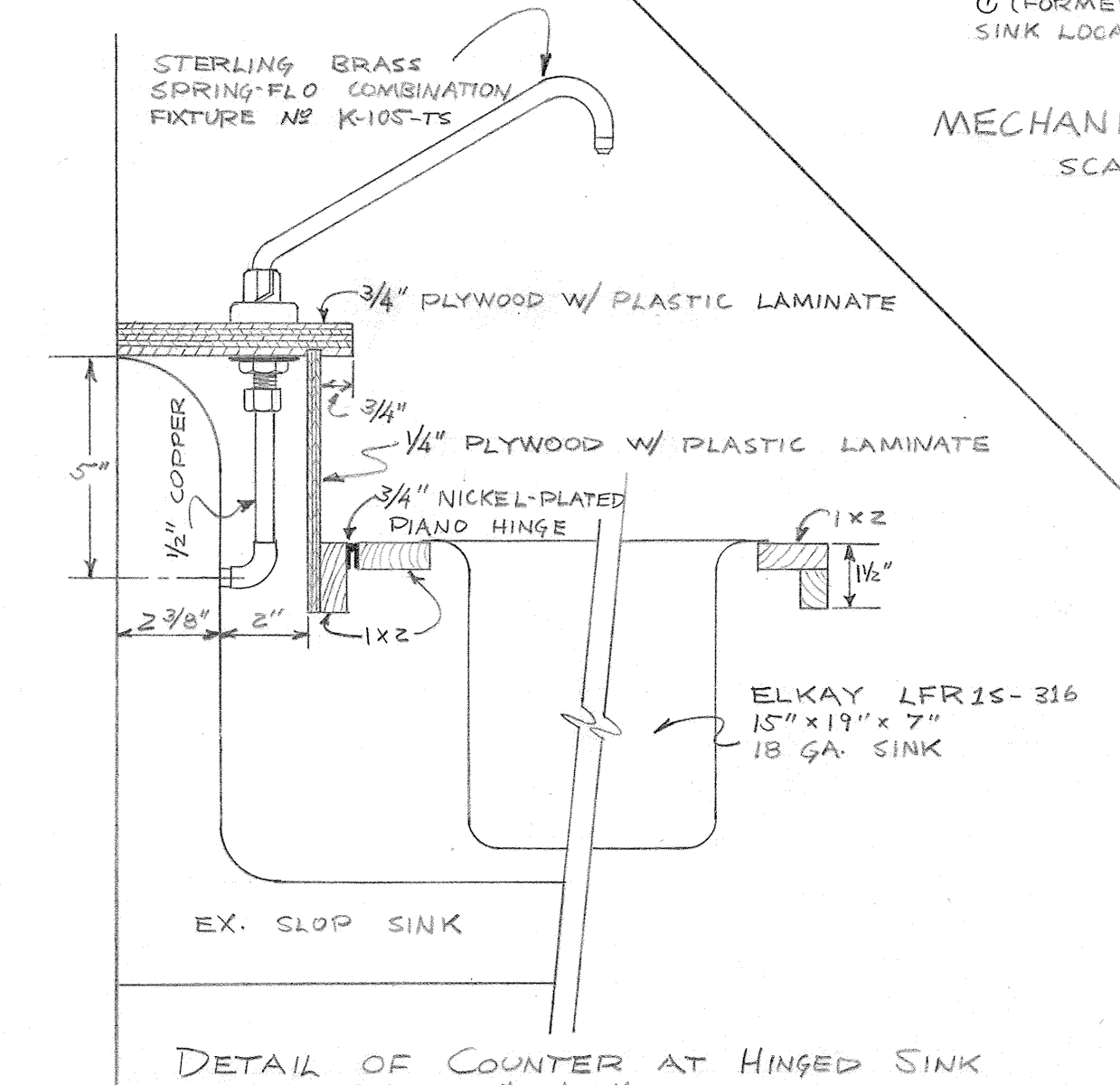
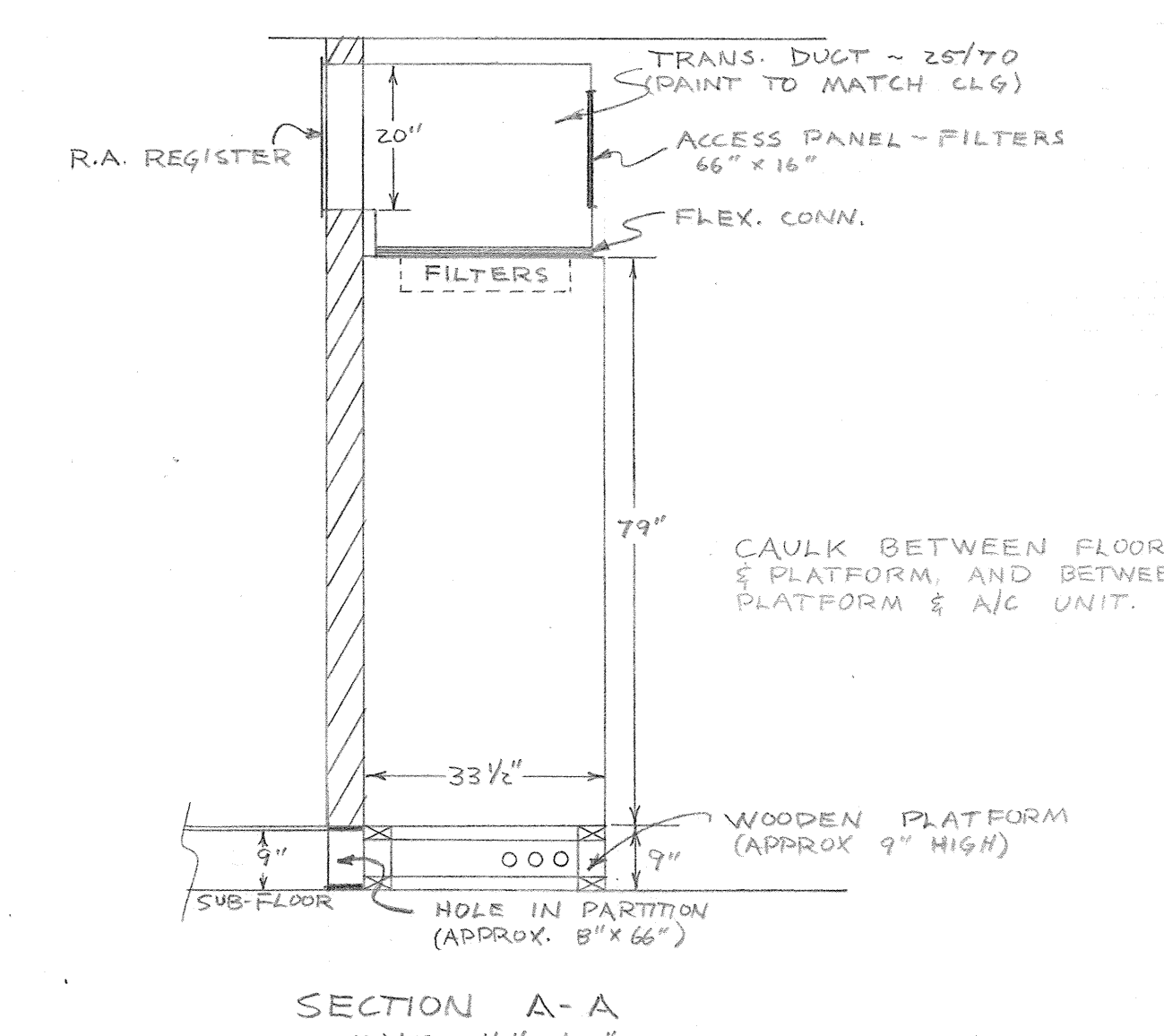
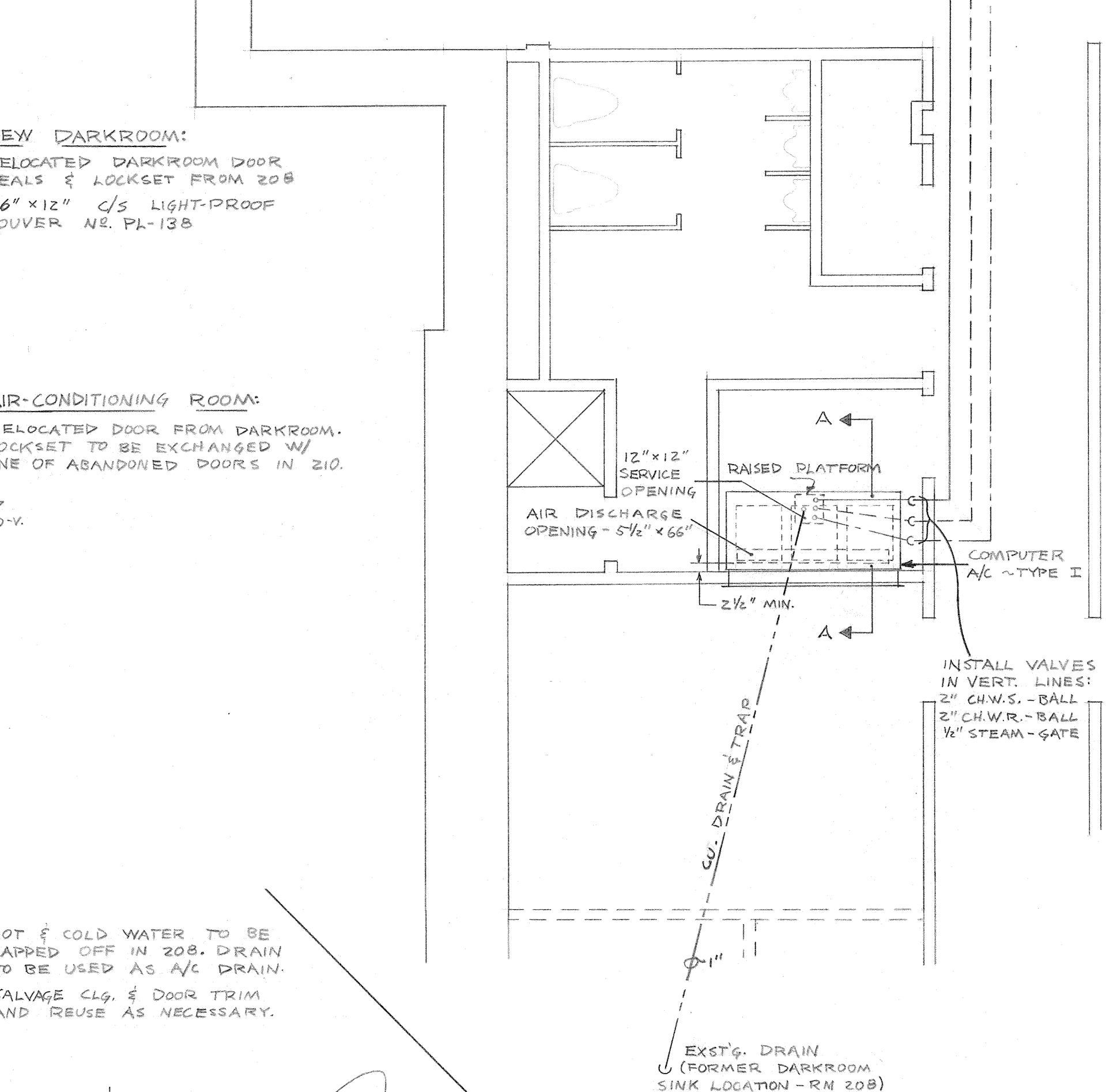
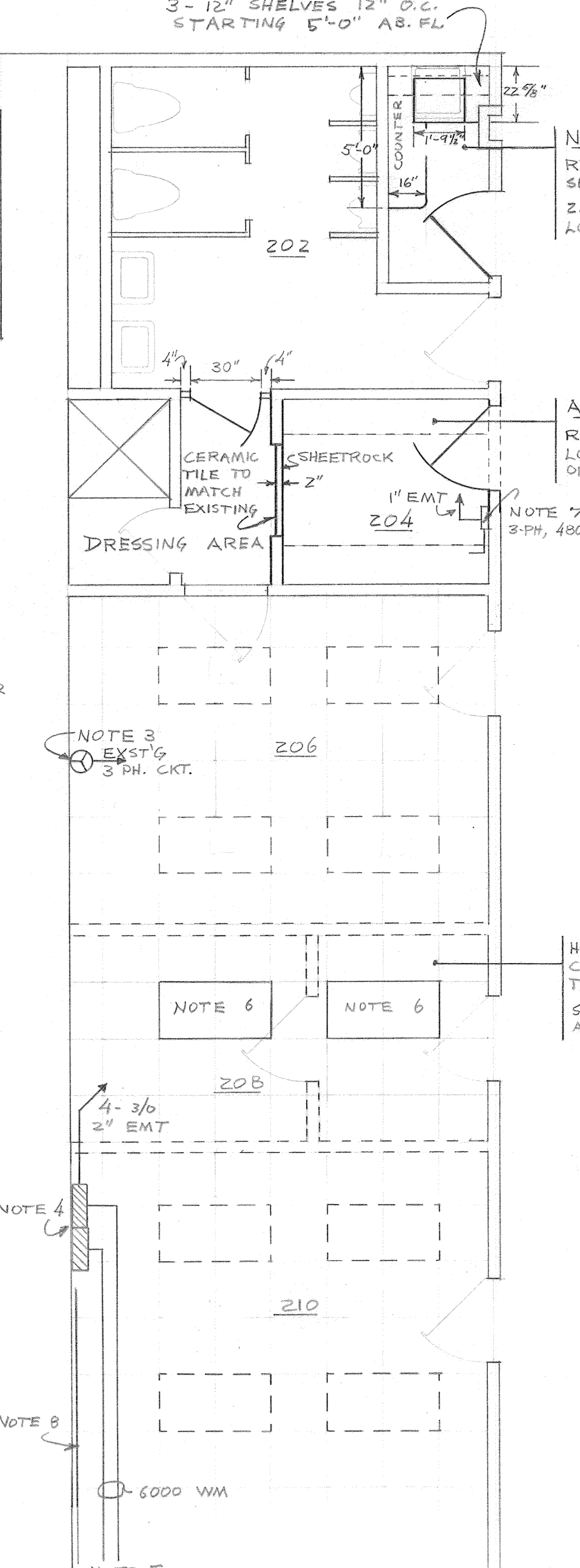
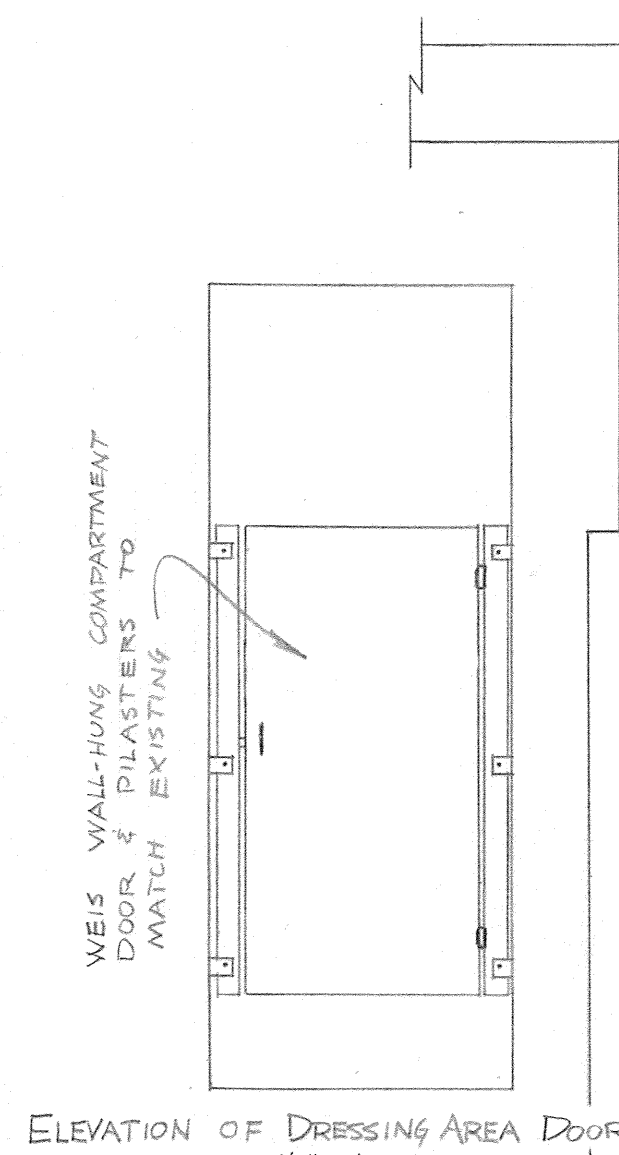
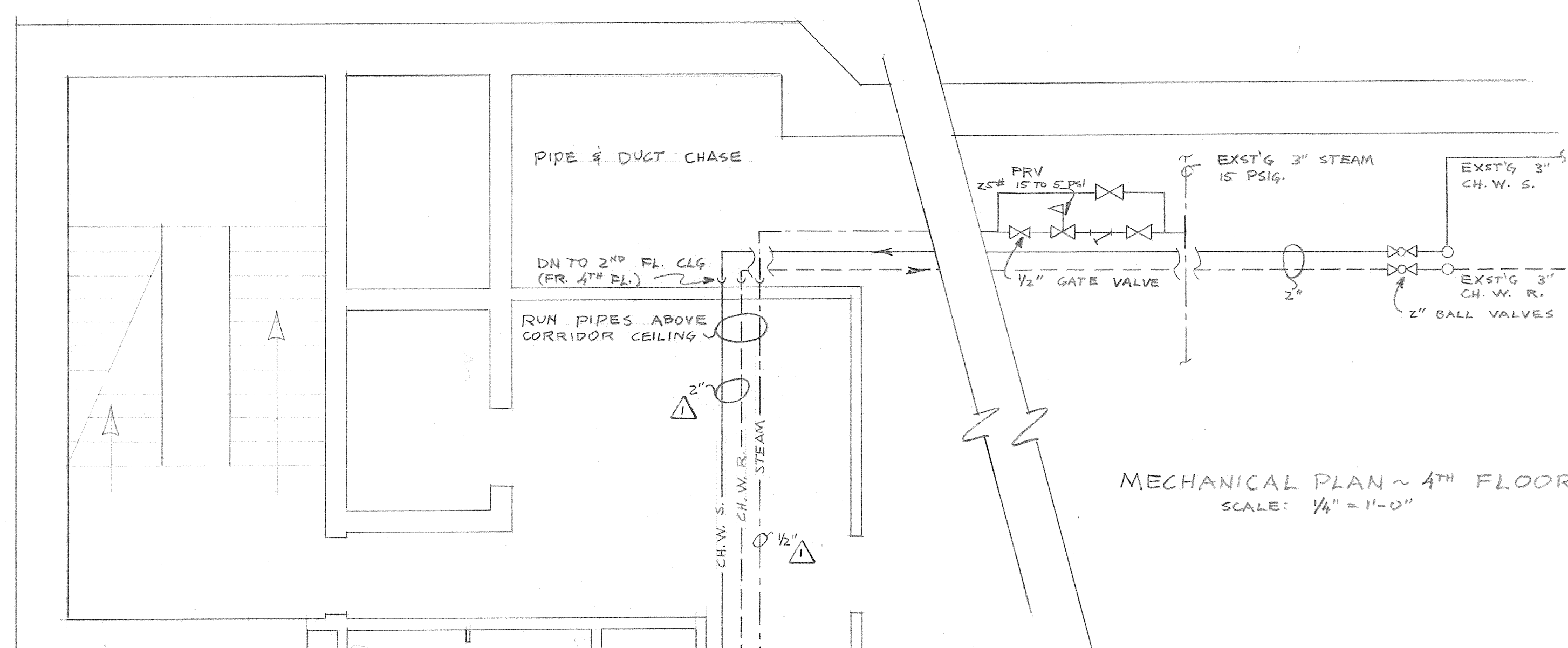
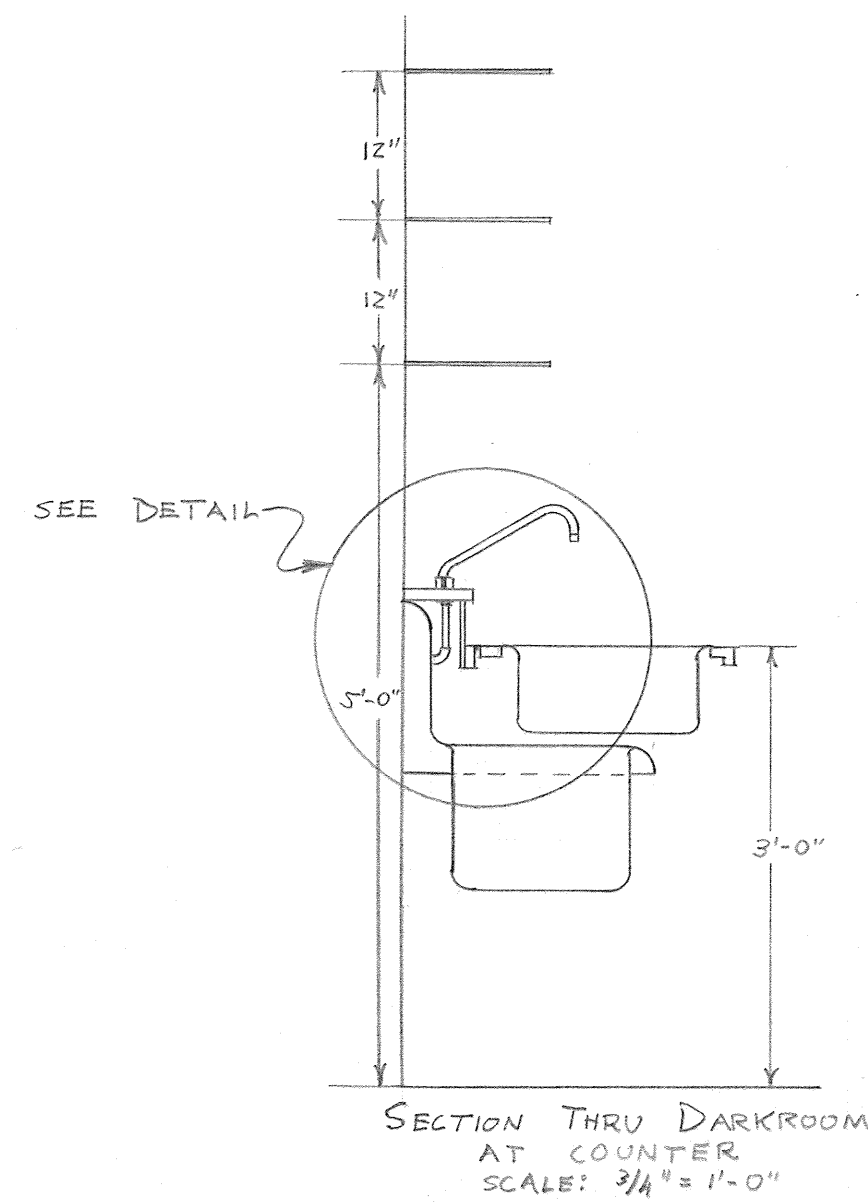


NOTES

- MECHANICAL EQUIPMENT SPECS.
 - A. COMPUTER A/C ~ TYPE I
 - BLAZER COMPUTEMP, MODEL 100
 - CW460 CHILLED WATER COOLED PACKAGED UNIT.
 - W/ 2 SEPARATE COILS
 - W/ STEAM GRID HUMIDIFIER
 - W/ 2-STAGE ELECTRIC REHEAT
 - W/ FILTER ALARM
 - W/ FIRE ALARM
 - W/ 45% N.B.S. FILTERS
 - W/ CONTROL PANEL
 - W/ BUILT-IN MAIN CIRCUIT BREAKER
 - PERFORMANCE ~ 141,000 BTU/HR @ 75° E.D.B. & 50% R.N.
 - VOLTAGE ~ 460/60/3 PHASE
 - W/ BUILT-IN OPERATING CONTROLS
 - B. RETURN AIR REGISTER ~ TYPE I
 - ~ CARNES MODEL 6766 EXTRUDED ALUM. PLUS DAMPER. SIZE 68"x18"
- INSTALLATION SPECS.
 - A. CHILLED WATER PIPING TO BE STANDARD TYPE "L" COPPER.
 - B. INSULATE CH. WATER PIPING W/ 1" ARMAFLEX. PAINT WHERE EXPOSED.
 - C. STEAM PIPING TO BE STANDARD STEEL PIPE.
 - D. INSULATE STEAM PIPING W/ 1" THICK MOLDED FIBRE GLASS, 4# DENSITY.
 - ~ WHERE EXPOSED, FINISH W/ B-OZ CANVAS.
 - ~ WHERE CONCEALED; BONDED.
- RELOCATE EXST'G IBM 1800 60A, 3 φ R & S 7324 RECP UNDER RAISED FLOOR.
- 2-G.E. 3 φ 4-W, 42-POLE POWER PANELS FROM STOCK. 200 A, 3 φ, 4-W FEEDER FROM DP-3.
- MIN. OF 2-6000 WMM RUNS UNDER FLOOR W/ 4-3 φ, 4-W, 20-A CKTS. ~ HUBBEL RECEPT. NO 3520, ON EA. PHASE; TEN (10) 120-V, 30-A CKTS W/ HUBBEL NR 3330 RECEPT.
- 2-DAYBRITE NR. G42A-4-NF871 CYLMATRON 112 FIX.; AIR HANDLING & HEAT TRANSFER LESS AIR CONNECTORS AT PRESENT. W/ 277 V. BALLAST.
- 180-V, 3 φ, 60 A. FEEDER FROM DP-4.
- WIREMOLD AS FLOOR AS REQUESTED.



9-15-70	ENA	ADD'L. SPECS. ON LT. FIX.	H.E.
9-11-70	ENA	CHANGE PIPE SPECS.	#2
REV.	DATE	BY	DESCRIPTION
BUILDINGS AND PROPERTIES CORNELL UNIVERSITY			
JOHN W. HUMPHREYS SERVICE BUILDING ITHACA, NEW YORK 14850			
ALTERATIONS TO WILSON LAB TO CREATE NEW DARKROOM AND ENLARGE COMPUTER ROOM			
			DATE 9-9-70 SCALE AS SHOWN DESIGNED BY H.E.B.P. DRAWN BY EA APPROVED BY [Signature] FILE NO. 00354
			D1494 1 of 1
1/8"			
2085-81-70-001 049 186 Cornell University B.&P.			
1/10"			

