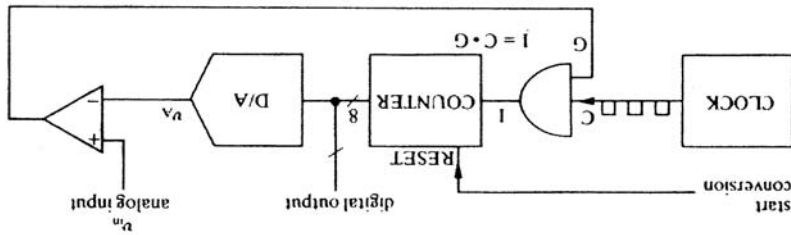
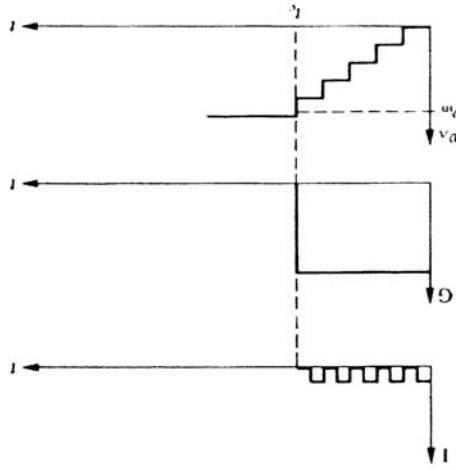


# Staircase ADC

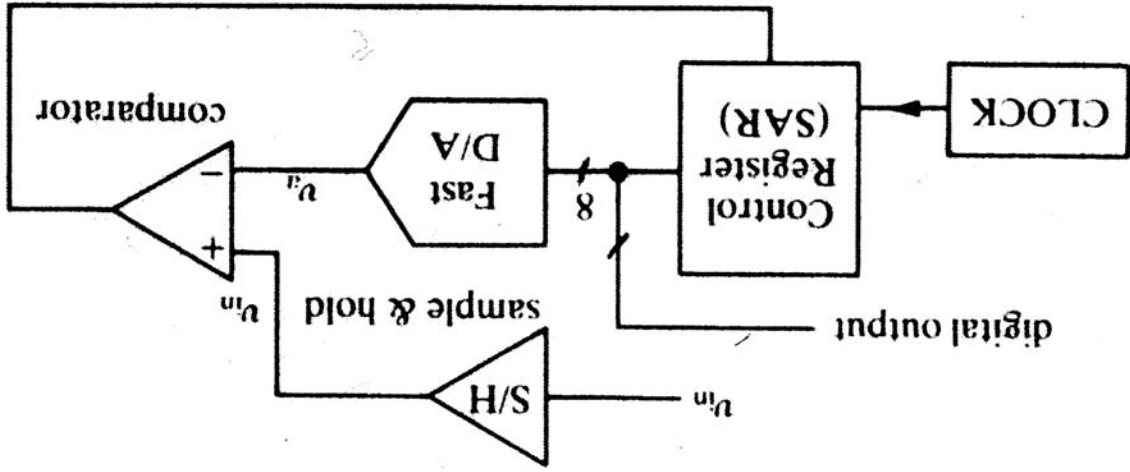


(a) basic circuit



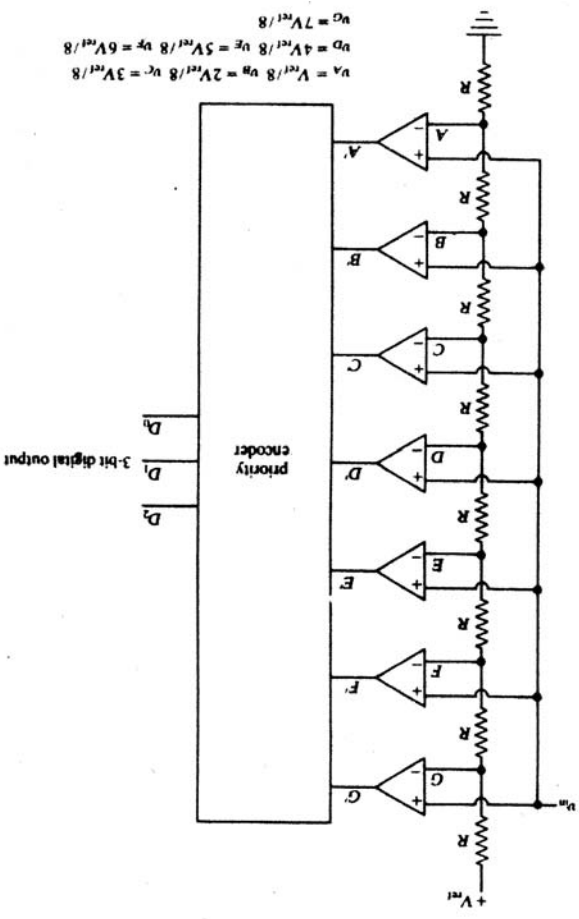
(b) waveforms

# Successive Approximation ADC

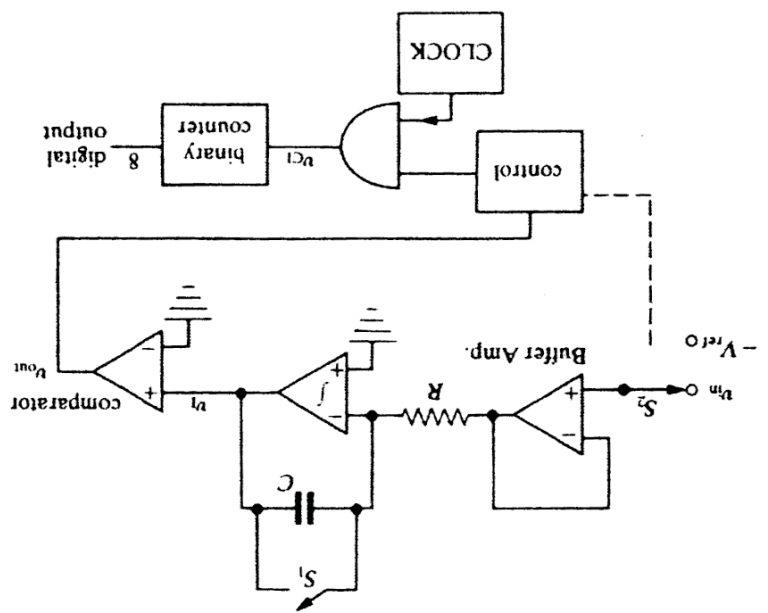
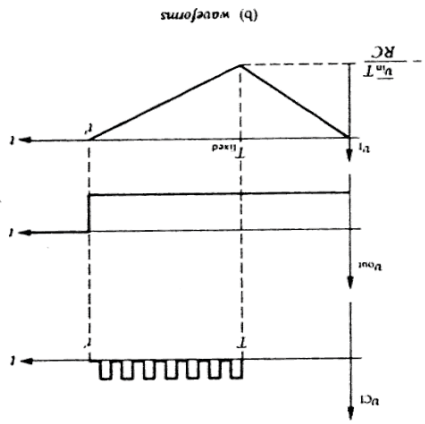


basic circuit

# 3-bit Flash ADC



# Dual Slope ADC



(a) basic circuit